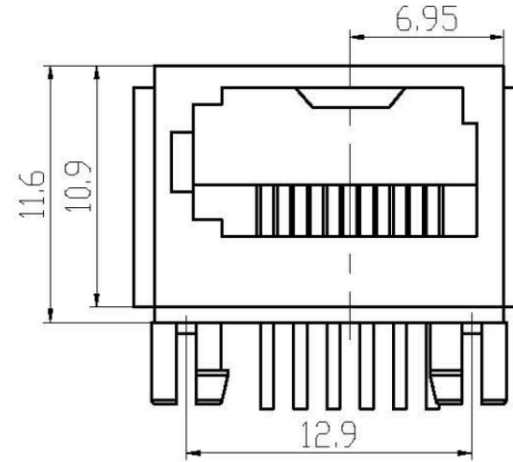
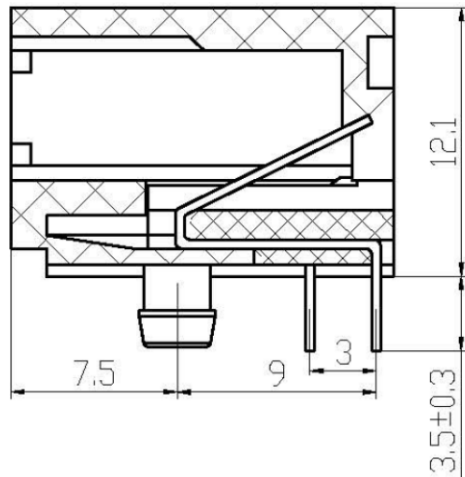


PC Board Layout

PCB JACK Specification

1. Insulation Resistance: 500M Ω MIN @ 500 VDC
2. Withstanding Voltage: AC1000V 50Hz or 60Hz lmin.
3. Durability: 600 Mating Circles MIN.
4. Gold Plating: (3;6;15;30;50) μ inch
5. Tolerances Unless Otherwise Specified
 $.0 \pm 0.25$ $.00 \pm 0.20$ $.000 \pm 0.10$



RoHS Compliant

TOLERANCES ARE

MORETHANALL
 PCB CONNECTORS
 Cable ASSEMBLIES

DRAWING BY CY

CHECKED BY GENIUS

UNIT / mm

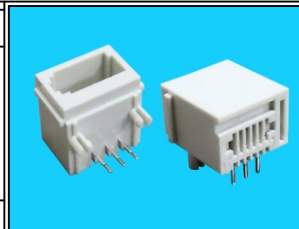
SCALE 1 : 1

DATE

SIZE A4

PPOJECTION

X, \pm
 .X \pm
 .XX \pm
 .XXX \pm
 ANG \pm



ORDER INFORMATION

UK-JRP-0606-LF
 SERIES POST JACK
 6P6C LEADFREE
 DIP 90°

煜倫股份有限公司

www.morethanall.com

DESCRIPTION: 英式6P6C PCB 卡扣朝左