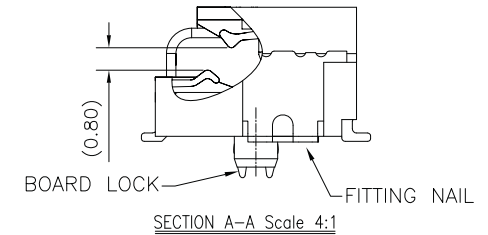
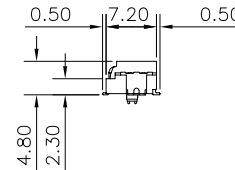
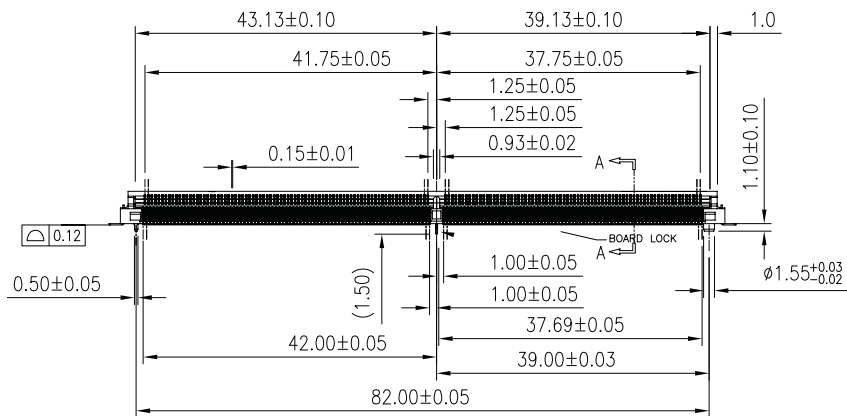


- NOTES:
- MATERIAL:
 - HOUSING: THERMOPLASTIC, HIGH TEMP., UL94V-0; COLOR:Black
 - CONTACT: COPPER ALLOY
 - FITTING NAIL: COPPER ALLOY
 - BOARD LOCK: COPPER ALLOY
 - FINISH:
 - CONTACT:
 - UNDERPLATING: 50u" MIN. NICKEL OVERALL.
 - FINISH:GOLD 3u" MIN. ON CONTACT,GOLD FLASH ON SOLDER TAIL
 - FITTING NAIL:
 - UNDERPLATING: 50u" MIN. NICKEL OVERALL.
 - FINISH:100~200u" MATT TIN OVER ALL
 - BOARD LOCK:
 - UNDERPLATING: 50u" MIN. NICKEL OVERALL.
 - FINISH:MATT TIN OVER ALL
 - REFLOW SOLDER CAPABLE TO 260°C
 - ROHS COMPLIANT PRODUCT.
 - THE PCB WARPAGE : 0.05MAX.
 - THE PCB Coplanarity : 0.08MAX.(ex.86.54mm&CONN.LAYOUT AREA),



RoHS Compliant

TOLERANCES ARE

MORETHANALL
PCB CONNECTORS
Cable ASSEMBLIES

DRAWING BY CY

X. ± 0.50

CHECKED BY GENIUS

.X ± 0.25

UNIT / mm

SCALE 1 : 1

.XX ± 0.15

DATE

.XXX ± 0.10

ANG ±

SIZE A4

PPOJECTION



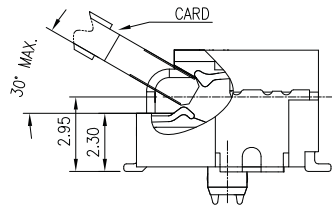
ORDER INFORMATION

MXM-W048EP2-165149-LF
SERIES | | | LEADFREE
| | | 314WAY
| | | EAR+POST
| | | HIGH 4.8mm
| | | 90°SMT

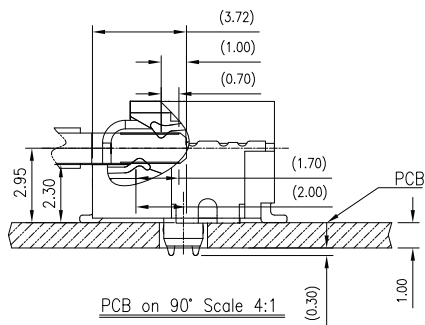
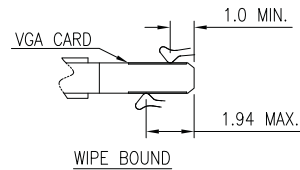
煜倫股份有限公司

www.morethanall.com

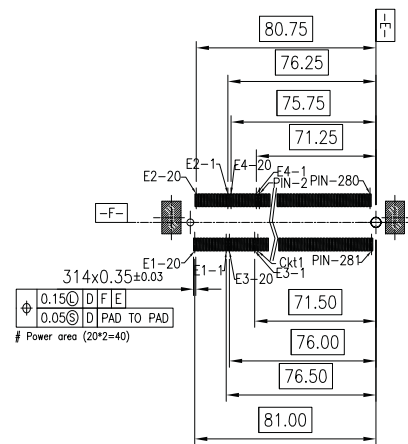
DESCRIPTION: MXM-3 314 PINS 0.5mm PITCH EDGE CARD CONN. SMT D/R R/A STD TYPE H=4.8mm (BTB H=2.3)



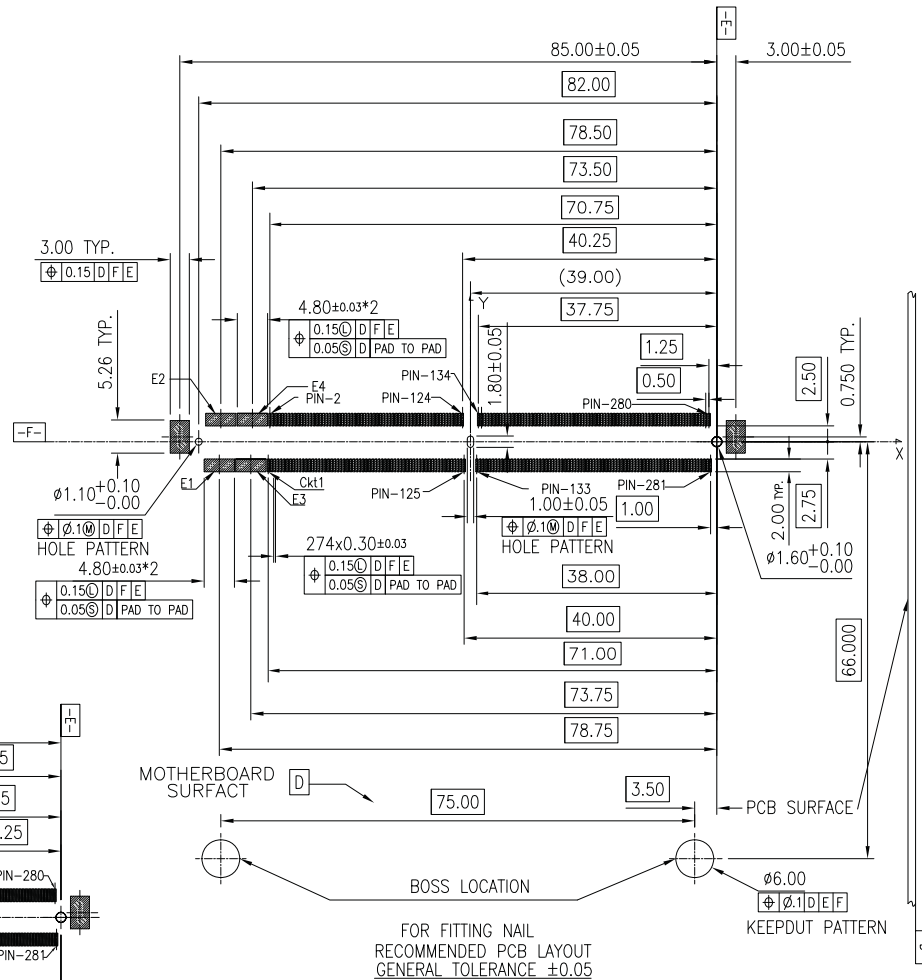
PCB 30° MAX In conn. Scale 4:1



PCB on 90° Scale 4:1



HIGH ELECTRICITY PER PIN LAYOUT



RoHS Compliant

TOLERANCES ARE

MORETHANALL
PCB CONNECTORS
Cable ASSEMBLIES
煜倫股份有限公司

DRAWING BY CY

CHECKED BY GENIUS

UNIT / mm

SCALE 1 : 1

DATE

SIZE A4

PPOJECTION

X. ± 0.50
.X ± 0.25
.XX ± 0.15
.XXX ± 0.10
ANG ±

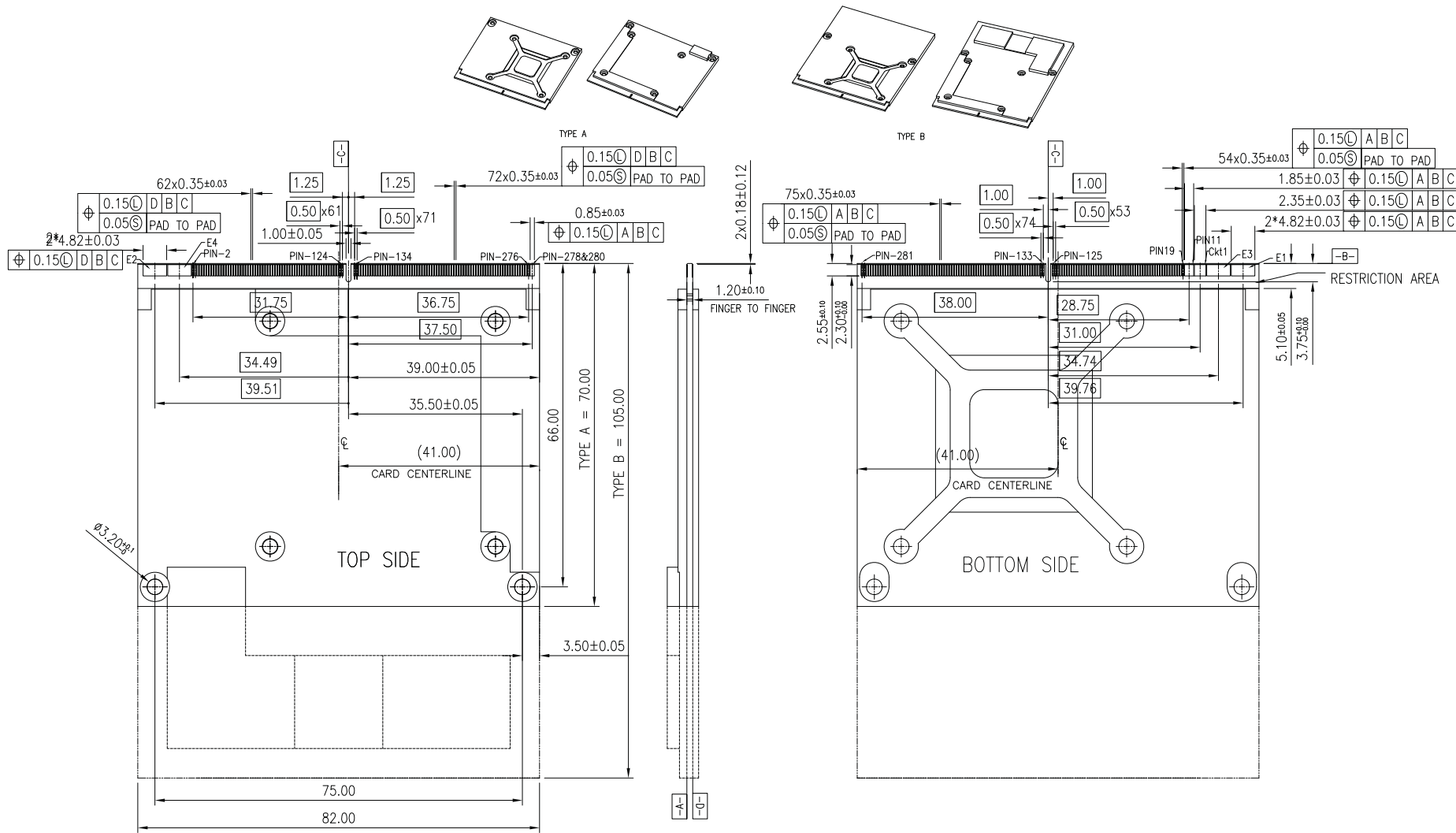


ORDER INFORMATION

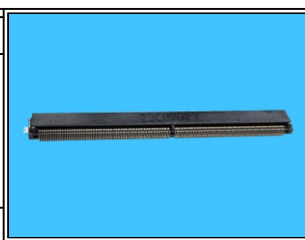
MXM-W048EP2-165149-LF
SERIES | | | | | LEADFREE
| | | | | 314WAY
| | | | | EAR+POST
| | | | | HIGH 4.8mm
| | | | | 90°SMT

DESCRIPTION: MXM-3 314 PINS 0.5mm PITCH EDGE CARD CONN. SMT D/R R/A STD TYPE H=4.8mm (BTB H=2.3)

www.morethanall.com



MXM-3 314PIN GOLD FINGER
 MXM-3 MAX 321 CONTACT LOCATION
 314 USEABLE (7 LOST TO KEY)



RoHS Compliant

TOLERANCES ARE

DRAWING BY CY		X. ± 0.50
CHECKED BY GENIUS		.X ± 0.25
UNIT / mm	SCALE 1 : 1	.XX ± 0.15
DATE		.XXX ± 0.10
		ANG ±

SIZE A4 PPROJECTION

ORDER INFORMATION

MXM-W048EP2-165149-LF			
SERIES	LEADFREE	314WAY	
	EAR+POST	HIGH 4.8mm	
		90°SMT	

DESCRIPTION: MXM-3 314 PINS 0.5mm PITCH EDGE CARD CONN. SMT D/R R/A STD TYPE H=4.8mm (BTB H=2.3)

MORETHANALL
 PCB CONNECTORS
 Cable ASSEMBLIES
 煜倫股份有限公司
 www.morethanall.com