

ELECTRICAL SPECIFICATIONS @ 25°C unless otherwise noted:

Insertion Loss: 1-100MHZ -1.0dB MAX

Return Loss: 1-30MHZ -16.0dB MIN
 30-60MHZ -14.0dB MIN
 60-80MHZ -10.0dB MIN

Cross Talk: 1-30MHZ -40.0dB MIN
 30-60MHZ -35.0dB MIN
 60-80MHZ -30.0dB MIN

CMR: 1-100MHZ -35.0dB MIN

Hi-Pot: 1500v AC 6S 1mA

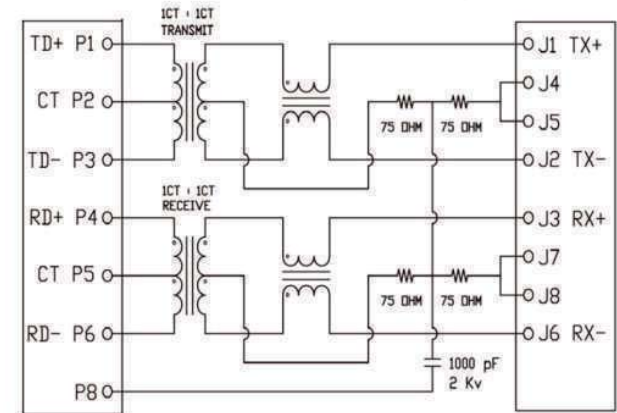
Turn Ratio: 1CT:1CT+/-3%

OCL:350uH MIN @ 100KHZ 100mV 8mA DC

Contacts: 0.35mm thick phos bronze plated with 6u' gold in contact are

Housing Material: PBT Black UL 94V-0

Operating temperature range:0°C to +70°C



This product complies with FCC rules

RoHS Compliant

TOLERANCES ARE

MORETHANALL
 PCB CONNECTORS
 Cable ASSEMBLIES

煜倫股份有限公司

www.morethanall.com

DRAWING BY CY

CHECKED BY GENIUS

UNIT/ mm

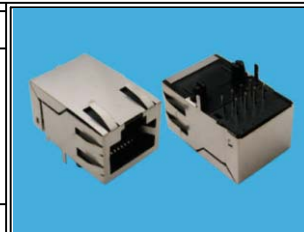
SCALE 1:1

DATE

SIZE A4

X, ±
 .X ± 0.25
 .XX ± 0.15
 .XXX ± 0.05
 ANG ±

P PROJECTION



ORDER INFORMATION

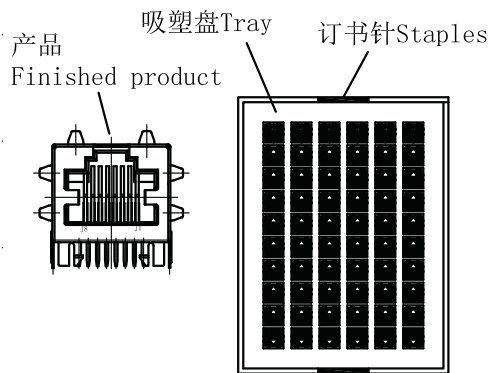
MJF13T25U-KF06B3-0808-LF

SERIES

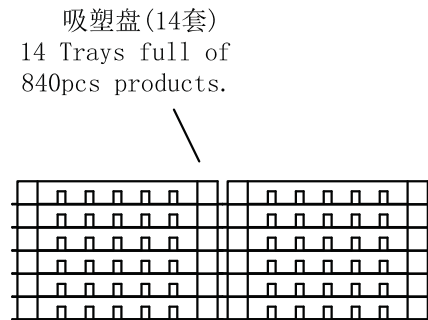
LEADFREE
 8P8C
 REAR TAB 3.05mm
 06u" GOLD
 FULL SPRING
 BLACK

DESCRIPTION: 10/100BASE 1x1 Tab-Up RJ45

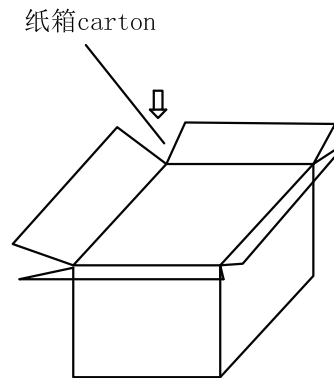
No.	材料 material	规格描述 Specification description	Q' TY/ Carton
1	吸塑盘Clamshell tray combo	PET transparent, size:285*165*30mm	14sets/carton
2	订书针 Staples	Commonly used specifications	28pcs/carton
3	纸箱Carton	K=K colorized size:330*330*210mm	1pcs/carton
4	标签Label	White self adhesive paper size:80*50mm	1pcs/carton
5	透明胶纸 gummed paper	wide:55mm, transparent	many



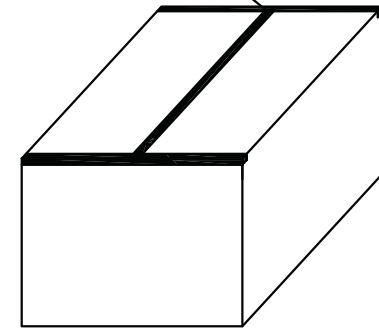
Step. 1 最后一排产品放置时, 端子要向盘子内侧方向.



Step. 2



封箱胶纸gummed paper



Step. 3

a. 将单个产品放入对应60格吸塑盒内.
put the single finished product in the tray.

b. 对每盘装好产品的吸塑盒盖上上盖并于两侧打钉固定.
when the tray full of products, Staples will be fixed around the plate
60pcs products/tray

a. 将14盘装好产品并打钉固定的产品放入一箱内.
pack 14 trays product to one carton.

60pcs / tray; 14 trays / carton.

Note:

包装材料重量:1.30kg
one carton and 14 trays
weigh: 1.30kg.

a. 用封箱胶纸将纸箱进行封箱作业.
Seal the carton with sealing tape .
b. 在产品固定一侧右上角贴上产品物料标签
Stick a piece product label on the designated location of the carton.
840 pcs / carton.

RoHS Compliant

TOLERANCES ARE

MORETHANALL
PCB CONNECTORS
Cable ASSEMBLIES

煜倫股份有限公司

www.morethanall.com

DRAWING BY CY

CHECKED BY GENIUS

UNIT/ mm

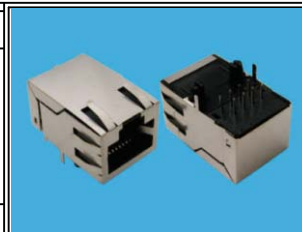
SCALE 1:1

DATE

SIZE A4

X, ±
.X ± 0.25
.XX ± 0.15
.XXX ± 0.05
ANG ±

P PROJECTION



ORDER INFORMATION

MJF13T25U-KF06B3-0808-LF

SERIES

LEADFREE

8P8C

REAR TAB 3.05mm

06u" GOLD

FULL SPRING

BLACK

DESCRIPTION: 10/100BASE 1x1 Tab-Up RJ45