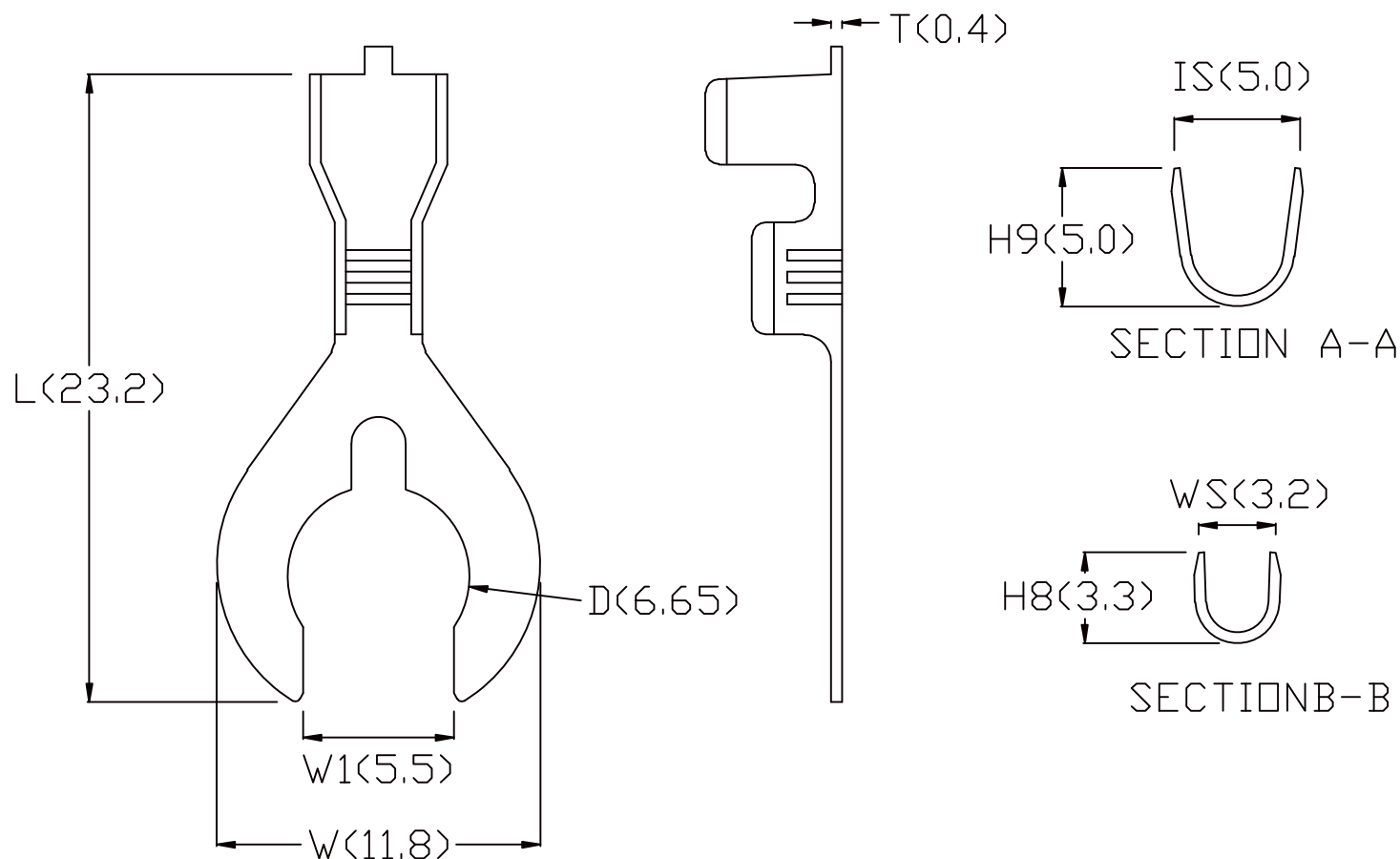


一般公差	
沖壓件	
尺寸	公差
20以下	± 0.3
21-30	± 0.4
31-50	± 0.5
51-100	± 0.6
凡未標記公差者通用此表	

材 質 黃銅
表面處理 -0 素材



RoHS Compliant

TOLERANCES ARE

MORETHANALL
PCB CONNECTORS
Cable ASSEMBLIES

DRAWING BY CY

X. ±

CHECKED BY GENIUS

.X ±

UNIT / mm

SCALE 1:1

.XX ±

DATE

.XXX ±

ANG ±

照片框

ORDER INFORMATION

YTS-66-16-LF
SERIES | T LEADFREE
16 WAY
6.65 DIA

煜倫股份有限公司

www.morethanall.com

SIZE A4

P PROJECTION

DESCRIPTION: