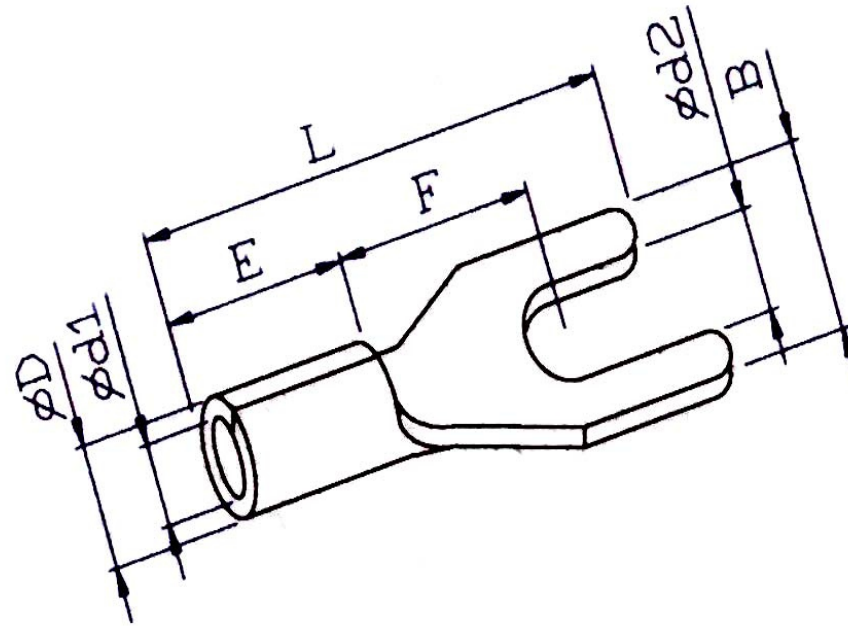


【代號說明】

壓著部內徑：φ d1
 壓著部外徑：φ D
 壓著部長度：E
 螺絲孔距：F
 螺絲鄭寬：B
 螺絲孔徑：φ d2
 裸端子長度：L



材質：紅銅板

厚度：1.0mm (±0.1)

單位：mm

位置	φ d2	B	L	F	E	φ D	φ d1	備註
公差 規格	+ 0.2 - 0.1	±0.2	±0.9	±0.7	±0.7	+ 0.2 - 0.1		AWG12-10
YT-X43-10	4.3	8.2	18.5	7.2	6.5	5.5	3.4	
YT-X53-10	5.3	9.0	18.5	7.2	6.5	5.5	3.4	
YT-X64-10	6.4	10.8	21.5	9.0	6.5	5.5	3.4	

RoHS Compliant

TOLERANCES ARE

MORETHANALL
 PCB CONNECTORS
 Cable ASSEMBLIES

DRAWING BY CY

CHECKED BY GENIUS

UNIT / mm

SCALE 1 : 1

DATE

SIZE A4

X. ±
 .X ±
 .XX ±
 .XXX ±
 ANG ±

PJECTION

照片框

ORDER INFORMATION

YT-Xxx-10-LF
 SERIES | LEADFREE
 10-12AWG
 43:d2 4.3mm
 53:d2 5.3mm
 64:d2 6.4mm
 NON PVC

煜倫股份有限公司

www.morethanall.com

DESCRIPTION: