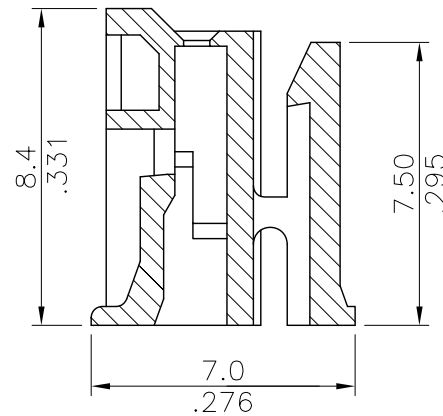
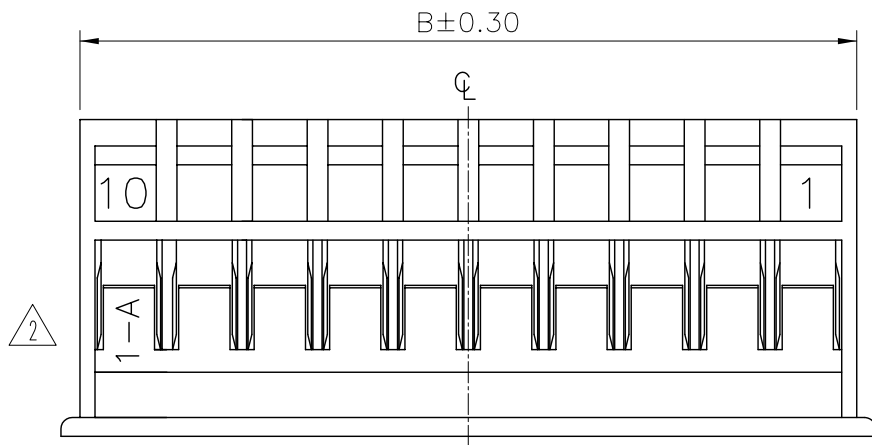


Note:

* Material: Nylon 66 UL 94V-0

Circuits	Dimension	
	A	B
10	18.00(.709)	20.6(.811)
12	22.00(.866)	24.6(.969)
14	26.00(1.024)	28.6(1.126)
16	30.00(1.181)	32.6(1.283)



YH22-H-xx-LF
LEADFREE
RoHS Compliant

A-A SEC.

MORETHANALL
CONNECTORS
ASSEMBLIES

煜倫股份有限公司

PART NO. YH22-H-xx		CHECKED BY CY	TOLERANCES ARE .X ± 0.2 .XX ± .XXX ± AWG	DESCRIPTION:			
DWG NO. YH22-H-xx							
FILE NO.		PROJECTION	AREA	REVISIONS	HK	DATE	
UNIT / mm	SCALE 1:1						