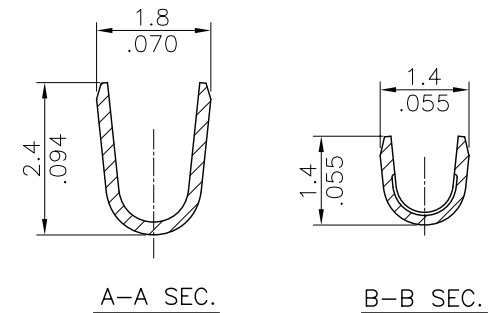


Wire Range	Insulation Diameter	Reel Q'ty
AWG #24~#30	0.80 (.031) Min. 1.45 (.057) Max.	10,000 PCS.



RoHS Compliant

TOLERANCES ARE

MORETHANALL
PCB CONNECTORS
Cable ASSEMBLIES

DRAWING BY CY

X.±

CHECKED BY GENIUS

.X±

UNIT / mm

SCALE 1:1

.XX±

DATE

.XXX±

ANG±

照片框

ORDER INFORMATION

YH20-T-24-LF

SERIES | LEADFREE
24~30AWG
TERMINAL

煜倫股份有限公司

www.morethanall.com

SIZE A4

PJECTION

DESCRIPTION: