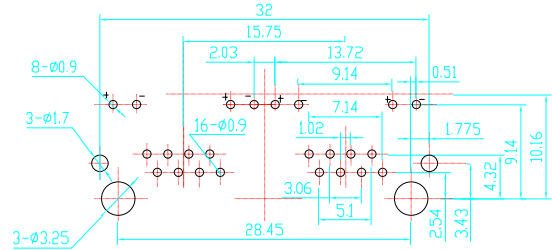
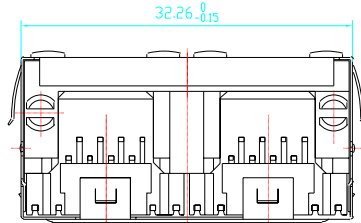
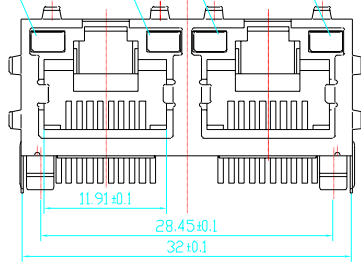
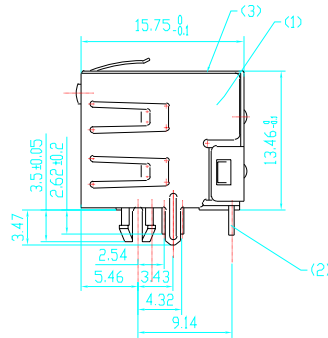


Specification

1. Insulation Resistance:
1000 Megohms min.
2. Withstand Voltage:
1000V, AC/ minute
3. Durability:
600 mating circles min.
4. Tolerances unless otherwise specified:
0~10: ± 0.1 ; 10~20: ± 0.15 ;
20~30: ± 0.2
5. Selective Gold-plating:
(3;6;15;30;50) micro inch



GREEN YELLOW GREEN YELLOW



No.	Part Name	QTY	Material	Remark
(4)	Diode	4		
(3)	Shielding	1	Copper alloy with Nickel plated	0.25mm thickness
(2)	Pin	16	Phosphor Bronze	Gold-plating over Nickel
(1)	Housing	1	P B T	UL94V0 or 94V2

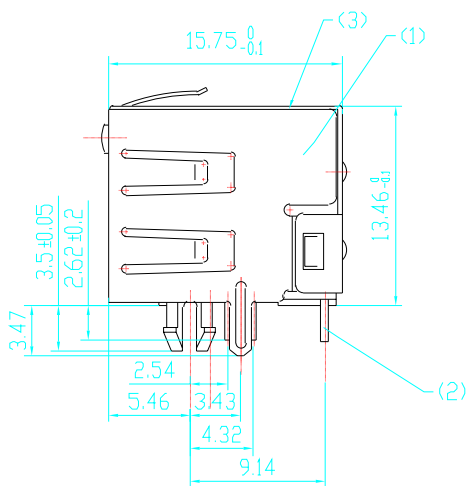
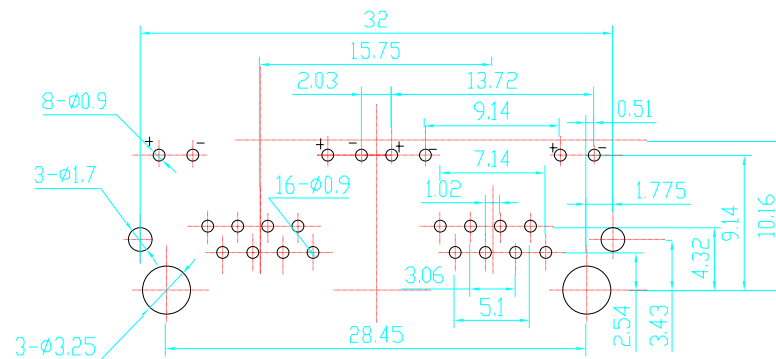
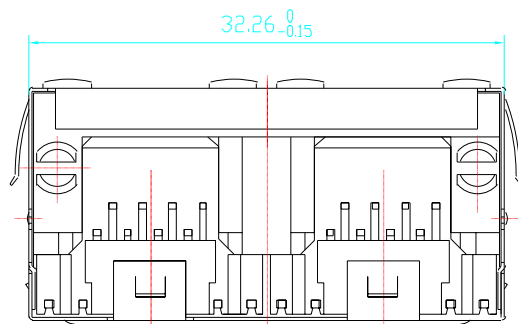


煜倫股份有限公司

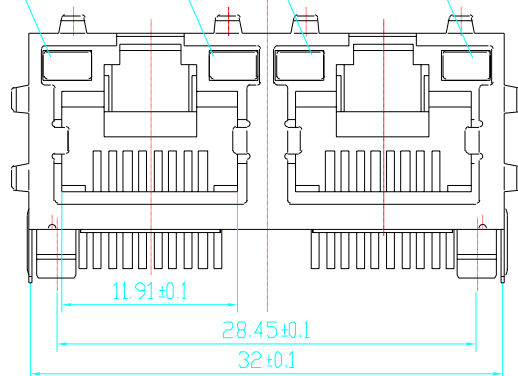
PART NO.		CHECKED BY CY		TOLERANCES ARE		DESCRIP TION:				
DWG NO.		DRAWING BY		.X ± 0.2 .XX ± .XXX ± AWG						
FILE NO.		PROJECTION		AREA		REVISIONS	HK	DATE		
UNIT / mm	SCALE 1:1									

Specification

1. Insulation Resistance:
1000 Megohms min.
2. Withstand Voltage:
1000V, AC/ minute
3. Durability:
600 mating circles min.
4. Tolerances unless otherwise specified:
0~10: ±0.1; 10~20: ±0.15;
20~30: ±0.2
5. Selective Gold-plating:
(3;6;15;30;50) micro inch



GREEN YELLOW GREEN YELLOW



(4)	Diode	4		
(3)	Shielding	1	Copper alloy with Nickel plated	0.25mm thickness
(2)	Pin	16	Phosphor Bronze	Gold-plating over Nickel
(1)	Housing	1	P B T	UL94V0 or 94V2
No.	Part Name	QTY	Materail	Remark



PART NO. YH-56-31-02-02		CHECKED BY CY		TOLERANCES ARE .X ± 0.2 .XX ± .XXX ± AWG		DESCRIP TION:				
DWG NO. YH-56-31-02-02		DRAWING BY								
FILE NO.		PROJECTION		AREA	REVISIONS	HK	DATE			

煜倫股份有限公司

UNIT / mm SCALE 1:1