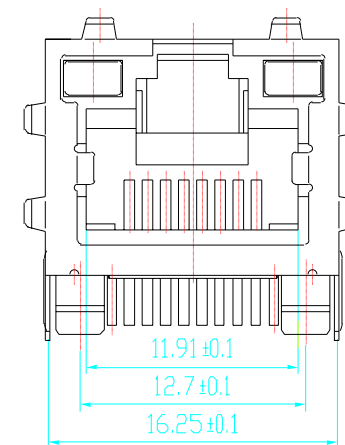
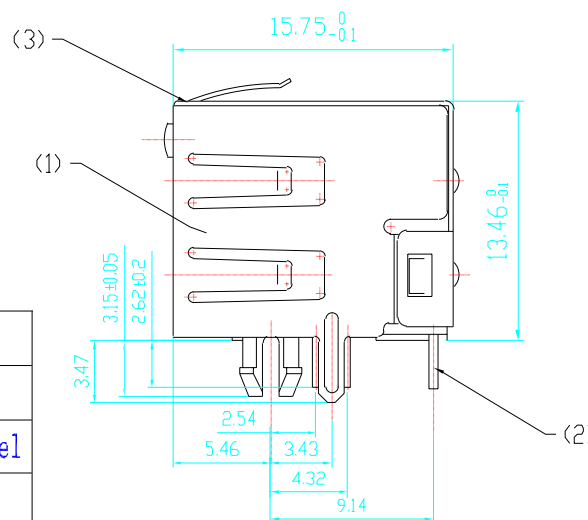
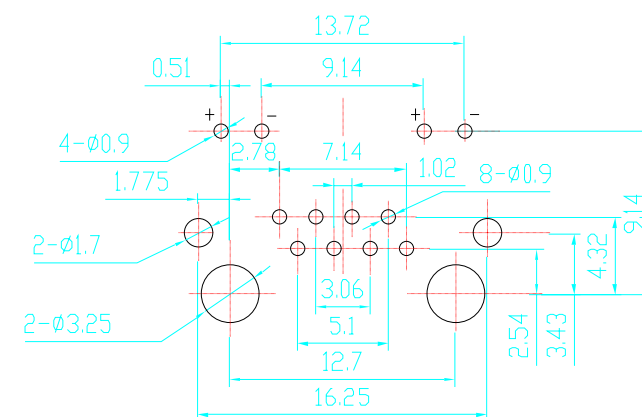
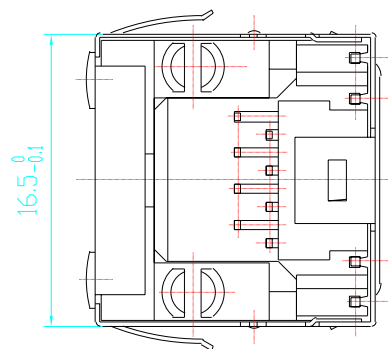


Specification

1. Insulation Resistance:
1000 Megohms min.
2. Withstand Voltage:
1000V, AC/ minute
3. Durability:
600 mating circles min.
4. Tolerances unless otherwise specified:
0~10: ± 0.1 ; 10~20: ± 0.15 ;
20~30: ± 0.2
5. Selective Gold-plating:
(3;6;15;30;50) micro inch

RoHS Compliant

(4)	Diode	2		
(3)	Shielding	1	Copper alloy with Nickel plated	0.25mm thickness
(2)	Pin	8	Phosphor Bronze	Gold-plating over Nickel
(1)	Housing	1	P B T	UL94V0 or 94V2
No.	Part Name	QTY	Material	Remark



MORETHANALL
CONNECTORS
ASSEMBLIES

PART NO. **YH-56-31-01-LF**

DWG NO. **YH-56-31-01-LF**

FILE NO.

UNIT / mm

SCALE 1:1

CHECKED BY CY

DRAWING BY

PROJECTION

TOLERANCES ARE

.X ± 0.2

.XX \pm

.XXX \pm

AWG

DESCRIPTION:

AREA

REVISIONS

HK

DATE

煜倫股份有限公司