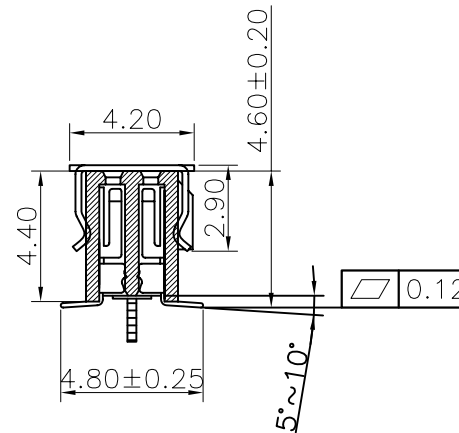


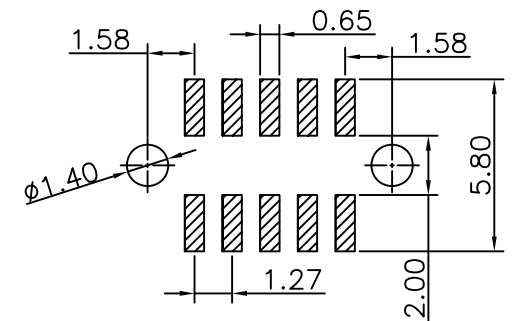
Specifications

Current Rating:1Amp
 Insulation Resistance:1000MΩMin.
 Dielectric Withstanding Voltage:300VAC
 Contact Resistance:20mΩMax.
 Operating Temperature:-40°C to +105°C
Materials

△ Contact Material:Phosphor Bronze
 Insulator Material:High Temperature Thermoplastic, UL 94V-0 LCP or the equivalent material △



Recommended P.C.Board Layout
 (Tolerance:±0.05)



RoHS Compliant

TOLERANCES ARE

MORETHANALL
 PCB CONNECTORS
 Cable ASSEMBLIES

煜倫股份有限公司

www.morethanall.com

DRAWING BY CY

CHECKED BY GENIUS

UNIT / mm SCALE 1 : 1

DATE

SIZE A4

X. ± 0.30

.X ± 0.25

.XX ± 0.15

.XXX ± 0.10

ANG ±

P PROJECTION

照片框

ORDER INFORMATION

YAB-V46ZC-2Xxx-LF

SERIES 180°SMT CAP CLIP HIGH 4.6mm
 LEADFREE
 2X03:06WAY
 2X50:100WAY

DESCRIPTION: 1.27 FEMALE HEADER DUAL ROWS SMT TYPE W/POST