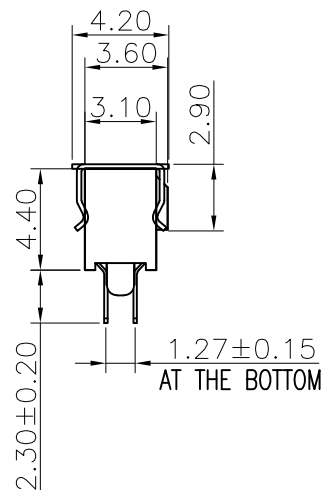
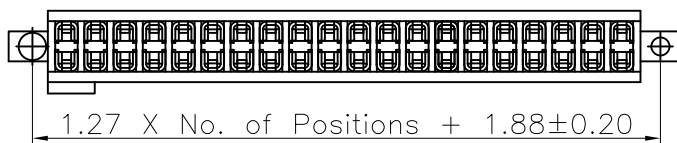
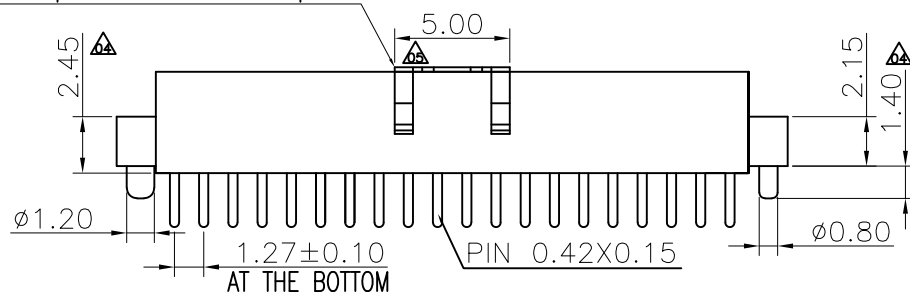
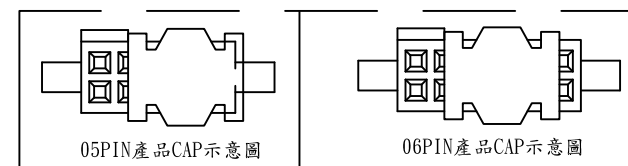


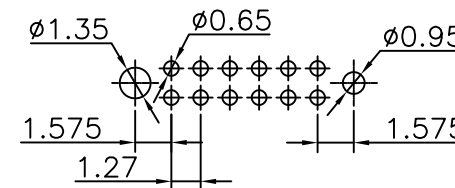
The cap used above 5pins



Specifications
 Current Rating:1Amp
 Insulation Resistance:1000MΩMin.
 Dielectric Withstanding Voltage:300VAC
 Contact Resistance:20mΩMax.
 Operating Temperature:-40°C to +105°C
 Materials
 Contact Material:Phosphor Bronze Δ
 Δ Insulator Material:High Temperature Thermoplastic, UL 94V-0 LCP or the equivalent material



Recommended P.C.Board
 Layout
 (Tolerance:±0.05)



RoHS Compliant

TOLERANCES ARE

MORETHANALL
 PCB CONNECTORS
 Cable ASSEMBLIES

煜倫股份有限公司

www.morethanall.com

DRAWING BY CY

CHECKED BY GENIUS

UNIT / mm

SCALE 1:1

DATE

SIZE A4

X. ± 0.30

.X ± 0.25

.XX ± 0.15

.XXX ± 0.10

ANG ±

PJECTION

照片框

ORDER INFORMATION

YAB-V44PC-2Xxx-LF

SERIES | | | LEADFREE
 180°SMT | | | 2X02:04WAY
 | | | CAP | | | 2X50:100WAY
 | | | POST | | | HIGH 4.4mm

DESCRIPTION: 1.27 FEMALE HEADER DUAL ROW DIP TYPE BASE 4.40H