

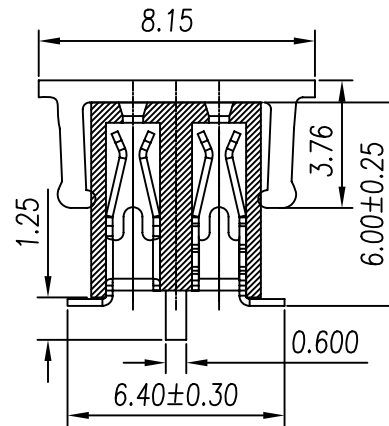
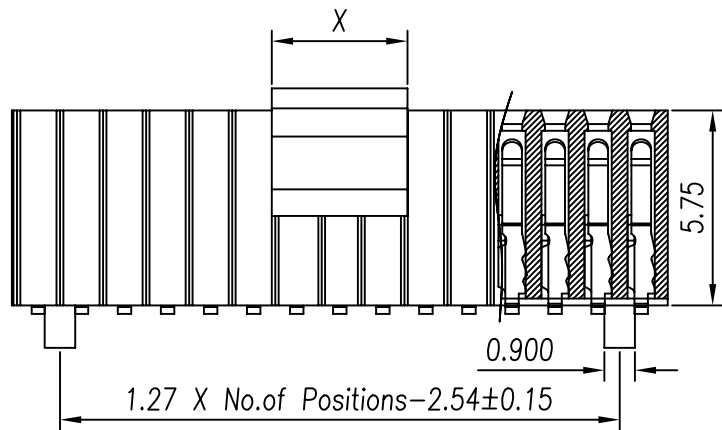
X	備注
4.00	03~25PIN適用
10.15	26~40PIN適用

Specifications

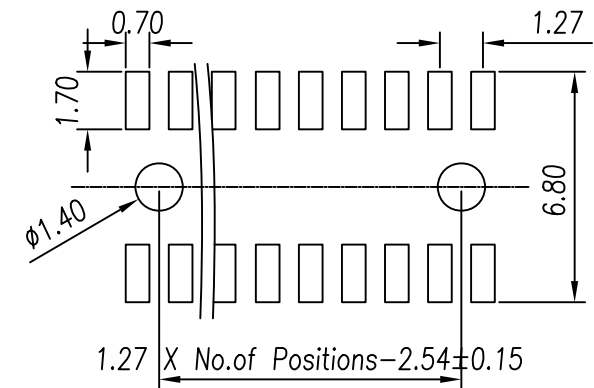
Current Rating: 1Amp
 Insulation Resistance: 1000MΩ Min.
 Dielectric Withstanding: 300V AC/DC
 Contact Resistance: 20mΩ Max.
 Operating Temperature: -40°C to +105°C

Materials

Contact Material: Phosphor Bronze
 Insulation Material: Polyester, UL 94V-0
 Nylon 6T
 All materials must be GP materials



Recommended P.C.Board Hole Layout



Y-V60PCG15-2Xxx
 G15:FULLGOLD 15u"



PART NO. Y-V60PCG15-2Xxx

DWG NO. Y-V60PCG15-2Xxx

FILE NO.

UNIT / mm

SCALE 1:1

CHECKED BY CY

DRAWING BY

PROJECTION

TOLERANCES ARE

.X ± 0.38
 .XX ± 0.25
 .XXX ± 0.13
 AWG

DESCRIPTION: 1.27 FEMALE HEADER DUAL ROWS SMT TYPE

AREA

REVISIONS

HK

DATE

煜倫股份有限公司