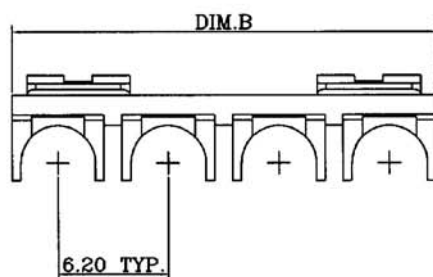
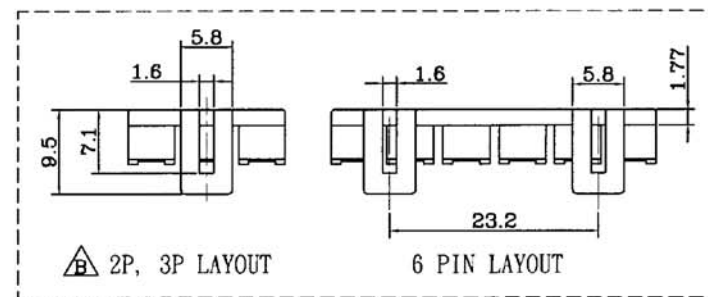
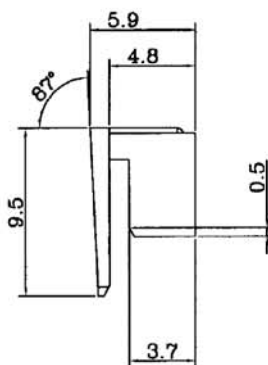
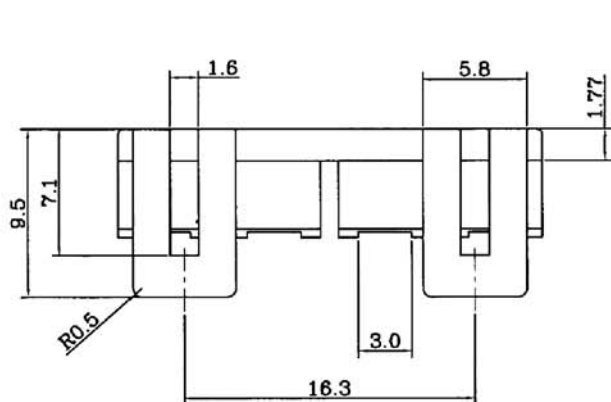


NOTES :  $\triangle B$

1. MATERIAL: NYLON 66 94V-0 OR  
OR GLASS-FILLED NYLON 66 94V-0

ORDER NO./DIMENSIONS:  $\triangle B$

CIRCUITS	DIM.A	DIM.B
02	6.2	11.4
03	12.4	17.6
04	18.6	23.8
06	31.0	36.2



RoHS Compliant

TOLERANCES ARE

**MORETHANALL**  
PCB CONNECTORS  
Cable ASSEMBLIES

DRAWING BY CY

X, ±  
.X ± 0.25  
.XX ± 0.12  
.XXX ± 0.08  
ANG ±

CHECKED BY GENIUS

UNIT / mm SCALE 1 : 1

DATE

SIZE A4

PJECTION

照片框

ORDER INFORMATION

VL-SR-1Xxx-LF  
SERIES | LEADFREE  
1X02:02WAY  
1X06:06WAY  
SR

煜倫股份有限公司

www.morethanall.com

DESCRIPTION: