

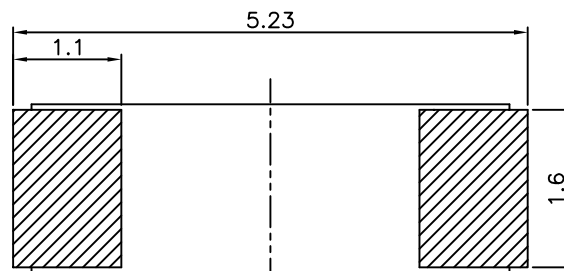
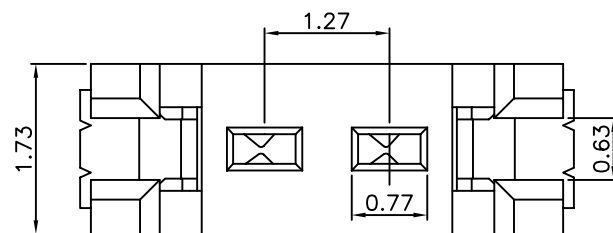
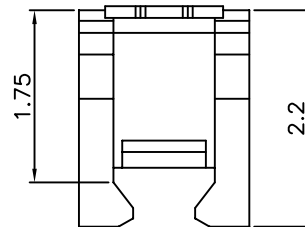
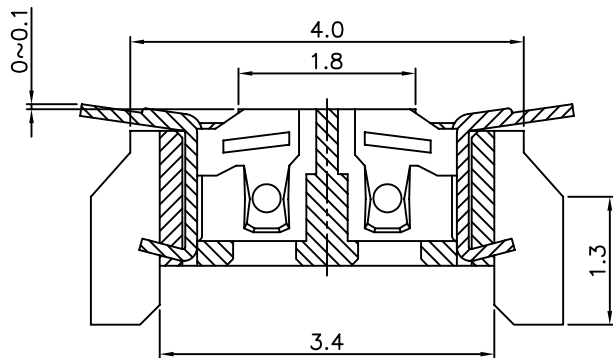
Material:

Housing: High Temperature Plastic UL94V-0.
 Contacts: Phosphor Bronze.

Electrical Characteristics:

Current Rating: 1 AMP.
 Dielectric Withstanding Voltage: AC 500V For 1 minute.
 Insulator Resistance: 500MΩ min. at DC 500V.
 Contact Resistance: 30mΩ max.
 Operating Temperature: -55°C ~ +85°C .

***RoHS Compliant**



P.C.Board Layout

RoHS Compliant

TOLERANCES ARE



煜倫股份有限公司

www.morethanall.com

DRAWING BY CY	
CHECKED BY GENIUS	
UNIT / mm	SCALE 1 : 1
DATE	
SIZE A4	PJECTION

X. ±
 .X ±
 .XX ±
 .XXX ±
 ANG ±

照片框

ORDER INFORMATION

VIB-SV-02-LF
 SERIES | LEADFREE
 | 02 WAY
 | 180°SMT
 FEMALE

DESCRIPTION: