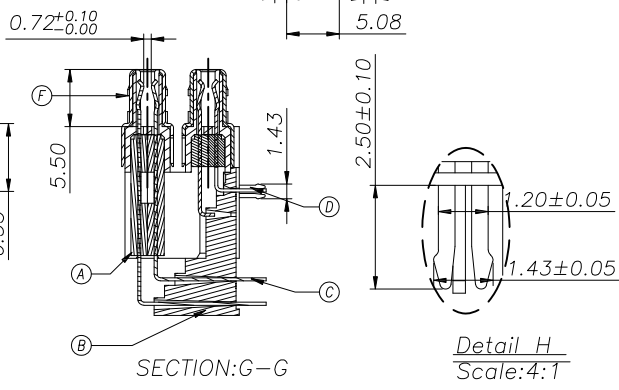
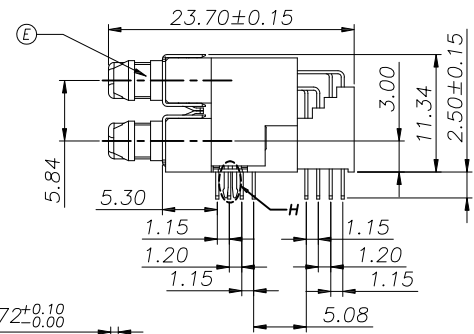
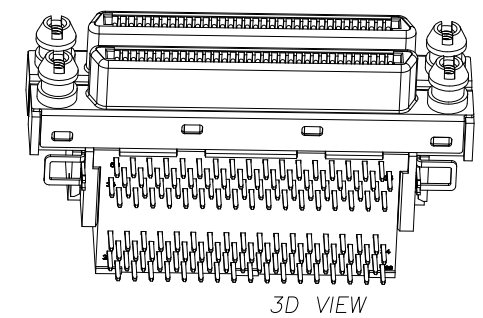


Recommended P.C.B Layout



NOTE:

- 1.MATERIALS:
1. HOUSING: THERMOPLASTIC, UL 94V-0 RATED.
  2. COVER: THERMOPLASTIC, UL 94V-0 RATED.
  3. CONTACTS: COPPER ALLOY, SELECTIVE GOLD PLATED
  4. SHELL: SPCC, NICKEL PLATED.
  5. HARPOON: COPPER ALLOY, TIN OVER NICKEL
- 2.SPECIFICATION:
1. RATED CURRENT: 0.30A/CONTACT
  2. INSULATION RESISTACE: 500MOHM MIN.
  3. DIELECTRIC WITHSTANDING VOLTAGE:250V AC FOR 1MINUTE.
  4. OPERATING TEMPERATURE: -25°C TO +85°C
- 3.ROHS COMPLIANT.



3D VIEW

F	SHELL	2 PCS	SPCC T0.30	NICKEL 60u"MIN
E	LOCK SCREWS	4 PCS	H65	NICKEL 60u"MIN
D	HOLD DOWNS	2 PCS	H65	NICKEL 60u"MIN
C	TERMINAL	136 PCS	C2680 T0.30	GOLD FLASH PLATING ON CONTACT AREA, TIN PLATING ON SOLDER AREA.
B	COVER	1 PCS	LCP 30%GF	UL94-V0 BLACK
A	HOUSING	1 PCS	LCP 30%GF	UL94-V0 BLACK
NO.	DESCRIPTION	Q,TY	MATERIAL	PLATING & COLOR

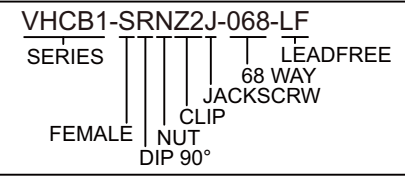
RoHS Compliant

**MORETHANALL**  
PCB CONNECTORS  
Cable ASSEMBLIES  
煜倫股份有限公司  
www.morethanall.com

DRAWING BY CY		TOLERANCES ARE X, ± .X ± 0.30 .XX ± 0.25 .XXX ± 0.15 ANG ± 2°
CHECKED BY GENIUS		
UNIT / mm	SCALE 1 : 1	
DATE		
SIZE A4	PJECTION	



ORDER INFORMATION



DESCRIPTION: VHDCI-68PIN母座90° 插板双层