

ELECTRICAL CHARACTERISTICS

CONTACT CURRENT RATING: 0.5 AMPERE
 DIELECTRIC WITHSTANDING VOLTAGE: 250 VAC
 INSULATION RESISTANCE: 500 MEGOHMS MIN.
 CONTACT RESISTANCE: 80 MILLIOHMS MAX.

MATERIALS

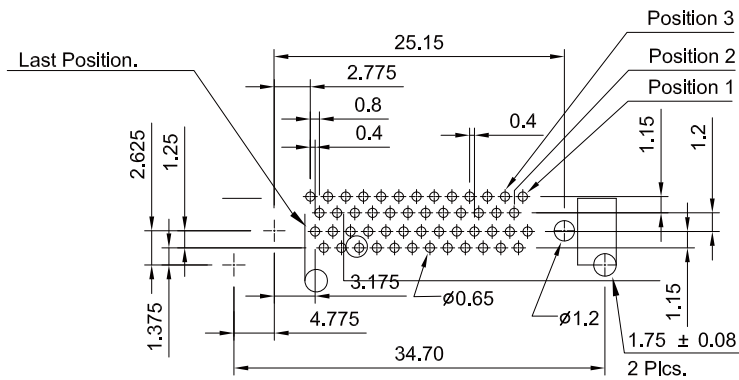
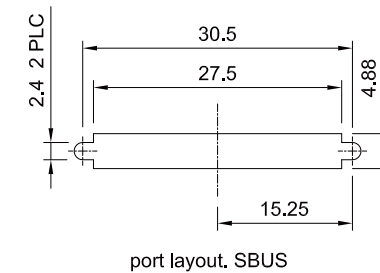
CONTACTS: COPPER ALLOY
 INSULATOR: THERMOPLASTIC 94V-0
 SHELL: COLD ROLLER STEEL

FINISHES

CONTACT: 30 μ" MIN. GOLD ON MATING END;
 TIN ON TERMINATION END;
 ALL UNDERPLATED NICKEL
 SHELL: NICKEL OVER COPPER

ENVIRONMENT

OPERATION TEMPERATURE: -55°C TO +85°C



Recommended P C Board Layout

RoHS Compliant

TOLERANCES ARE

MORETHANALL
 PCB CONNECTORS
 Cable ASSEMBLIES

DRAWING BY CY

X, ±

CHECKED BY GENIUS

.X ±

UNIT / mm

SCALE 1 : 1

.XX ±

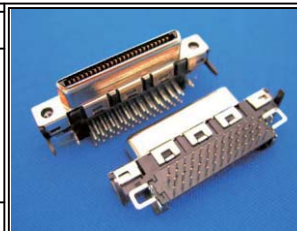
DATE

.XXX ±

SIZE A4

PPOJECTION

ANG ±



ORDER INFORMATION

VHC-SRNZ1-050-LF
 SERIES | CLIP | LEADFREE
 NUT | 50 WAY
 DIP 90°
 FEMALE

DESCRIPTION:

煜倫股份有限公司

www.morethanall.com