

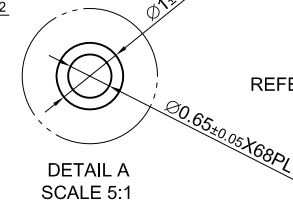
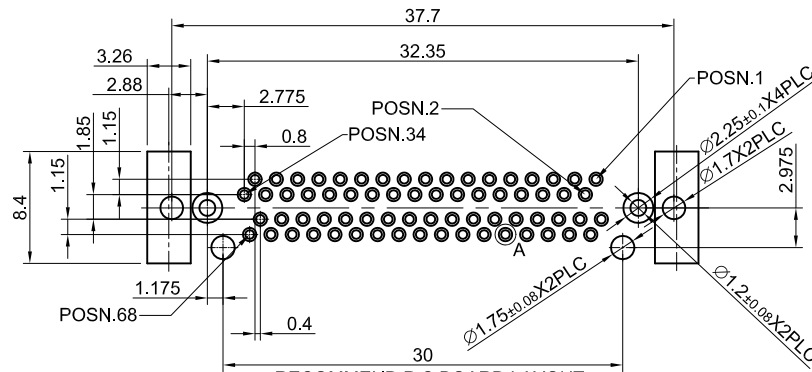
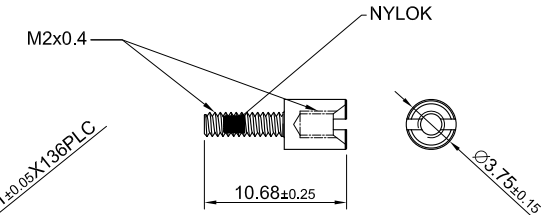
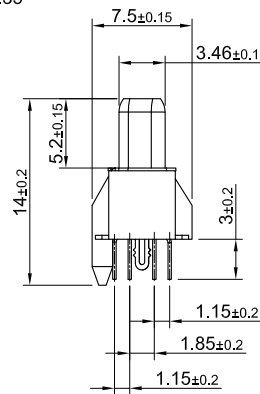
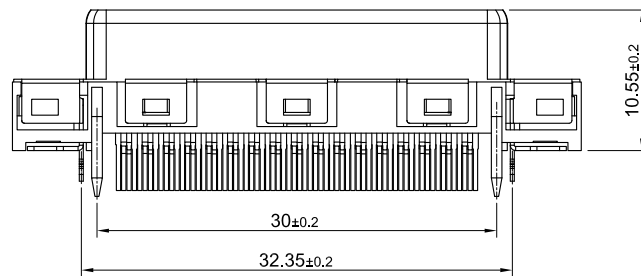
ELECTRICAL CHARACTERISTICS
 CONTACT CURRENT RATING:0.5AMPERE
 DIELECTRIC WITHSTANDING VOLTAGE:250 VAC
 INSULATION RESISTANCE:500 MEGOHMS MIN.
 CONTACT RESISTANCE:80 MILLIOHMS MAX.

MATERIALS
 CONTACTS:COPPER ALLOY
 INSULATOR:THERMOPLASTIC 94V-0
 SHELL:COLD ROLLER STEEL

FINISHES
 CONTACT:30 μ" MIN. GOLD ON MATING END;
 TIN ON TERMINATION END;
 ALL UNDERPLATED NICKEL
 SHELL:NICKEL OVER COPPER

ENVIRONMENT
 OPERATION TEMPERATURE: -55°C TO +85°C

NOTES
 1.MATERIAL:STEEL,NICKEL PLATED.
 2.SHIP WITH TWO STAND-OFFS



RECOMMEND P C BOARD LAYOUT
 (REFERENTIAL LAYOUT)
 TOLERANCE:±0.05

RoHS Compliant

TOLERANCES ARE

DRAWING BY CY	X. ± 0.25
CHECKED BY GENIUS	.X ± 0.20
UNIT / mm	.XX ± 0.15
SCALE 1 : 1	.XXX ±
DATE	ANG ± 1°

照片框

ORDER INFORMATION

VHC-SDNH-068-LF
 SERIES | | | LEADFREE
 | | | 68 WAY
 | | | HEX SCREW
 FEMALE | NUT
 | | DIP 180°

MORETHANALL
 PCB CONNECTORS
 Cable ASSEMBLIES

煜倫股份有限公司

www.morethanall.com

SIZE A4

PPOJECTION

DESCRIPTION: VHDCI 0.8mm Vertical Receptacle Connectors