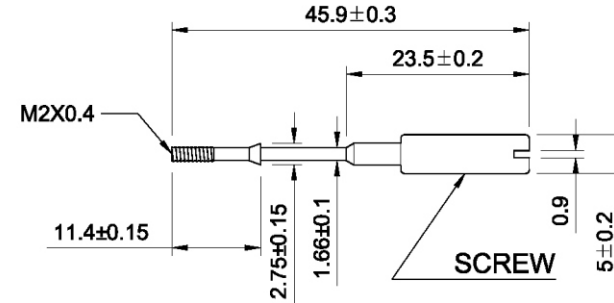
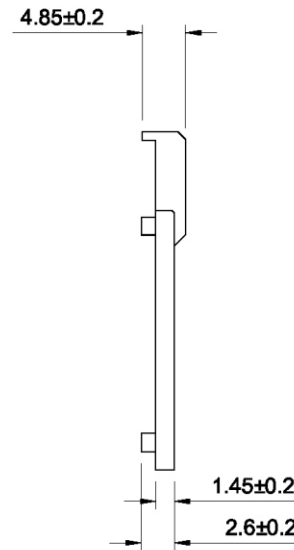
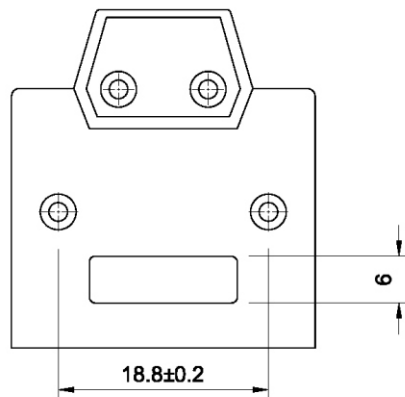


**MATERIALS**

BACKSHELL: ZINC ALLOY

**FINISHES**

BACKSHELL: ZINC ALLOY,  
PLATED NICKEL OVER COPPER



**RoHS Compliant**

TOLERANCES ARE

**MORETHANALL**  
PCB CONNECTORS  
Cable ASSEMBLIES

煜倫股份有限公司

www.morethanall.com

DRAWING BY CY

CHECKED BY GENIUS

UNIT / mm SCALE 1 : 1

DATE

SIZE A4

X, ±  
.X ±  
.XX ±  
.XXX ±  
ANG ±

PPOJECTION

照片框

**ORDER INFORMATION**

VHC-M-036-LF  
SERIES | LEADFREE  
36 WAY  
METAL

DESCRIPTION: