

WAFER

Poles: 3-1

Material: Post: Bass, Tin/Plated

Base: Nylon 66, UL94V-0

Q'ty: 1000 pcs/bag

ELECTRICAL:

CURRENT RATING: 7.0A AC DC.

VOTAGE RATING: 250V AC DC.

TEMPERATURE RANGE: -25°C~+85°C.

CONTACT RESISTANCE: 20m Ohm Max.

INSULATION RESISTANCE: 1000 M Ohm Min.

WITHSTANDING VOTAGE: 1500V AC/MINUTE.

可焊性規格: 245°±5°, 時間2.5±0.5Sec, 引角沾錫面積90%以上

詳細參數見附件<RoHS零件耐焊接熱標準>.

Resistance to Soldering Heat:

Appearance :no damage

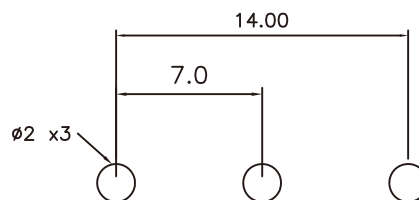
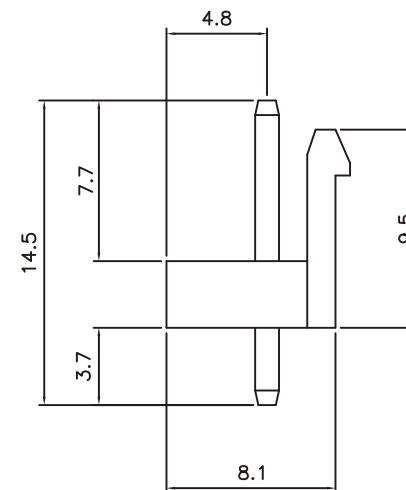
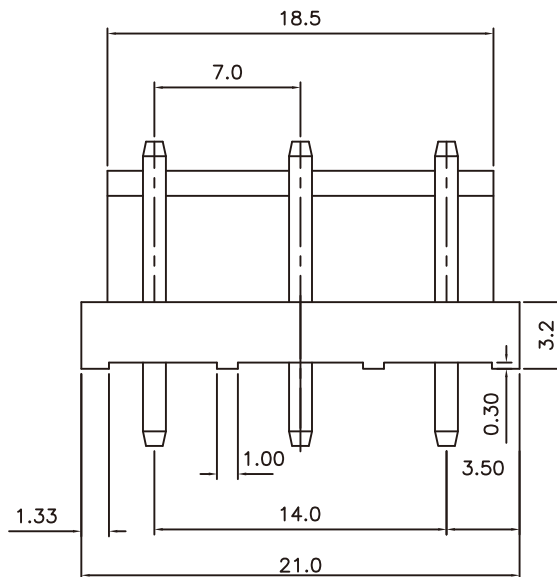
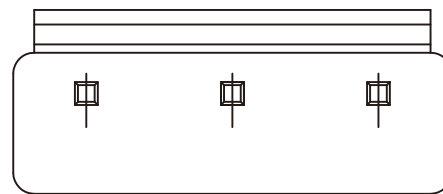
DIPPING TIM:10±0.5Sec. Temperature: 270±2°C

NO DEFORMATION OF THE OUTLINE OR

THE TERMINAL CONTACT PIN,THE ELECTRICAL

AND MECHANICAL CHARACTERISTIC SATISFIED

詳細參數見附件<RoHS零件耐焊接熱標準>.



P.C. B. LAYOUT

RoHS Compliant

TOLERANCES ARE

MORETHANALL
PCB CONNECTORS
Cable ASSEMBLIES

DRAWING BY CY

X.±

CHECKED BY GENIUS

.X±

UNIT / mm

SCALE 1:1

.XX±

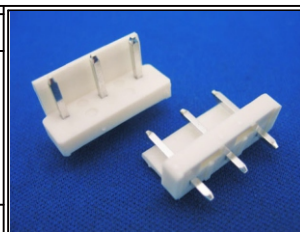
DATE

.XXX±

ANG±

SIZE A4

PPOJECTION



ORDER INFORMATION

VH70-D-03-LF

SERIES | LEADFREE

03 WAY

DIP 180°

煜倫股份有限公司

www.morethanall.com

DESCRIPTION: Pitch 7.0 Top Entry P.C.B. Connector