

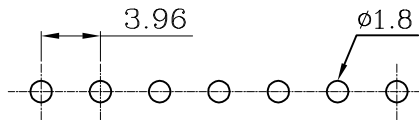
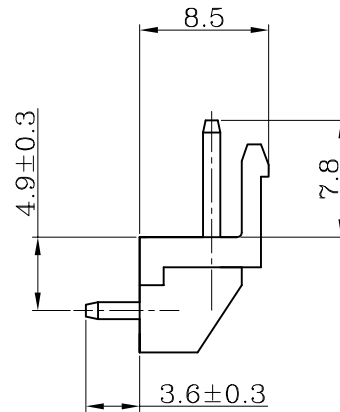
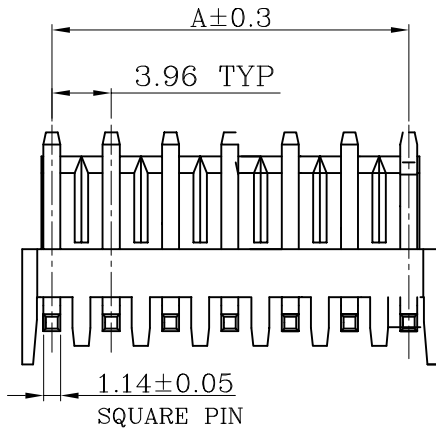
ISOMETRIC

NOTES:

- \*. BASE: GLASS-FILLED NYLON 66 94V-0.
- \*. MATERIAL OF CONTACT PIN: BRASS,

DIMENSIONS:

CIRCUITS	DIM. A	DIM. B
02	3.96	7.9
03	7.92	11.9
04	11.88	15.8
05	15.84	19.8
06	19.80	23.7
07	23.76	27.7
08	27.72	31.7
09	31.68	35.6
10	35.64	39.6
11	39.60	43.6
12	43.56	47.5



P.C.B LAYOUT

RoHS Compliant

TOLERANCES ARE

**MORETHANALL**  
PCB CONNECTORS  
Cable ASSEMBLIES

DRAWING BY CY

CHECKED BY GENIUS

UNIT / mm

SCALE 1 : 1

DATE

SIZE A4

PJECTION

X, ±  
.X ± 0.25  
.XX ± 0.12  
.XXX ± 0.08  
ANG ± 3°

照片框

ORDER INFORMATION

VH-RB-xx-LF  
SERIES | LEADFREE  
| 02-12 WAY  
| BRACKET  
| DIP 90°

煜倫股份有限公司

www.morethanall.com

DESCRIPTION: 3.96mm PITCH RIGHT ANGLE HEADER