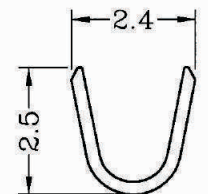
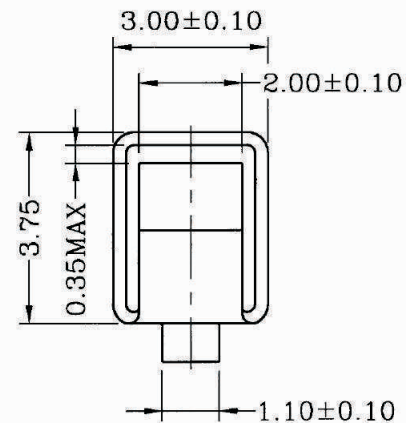


Section A-A



Section B-B



Section C-C

Specifications & Ordering Information:

Part No	Wire Range	Insulation O.D.	Material	Finish	Qty/reel
VA-T-18	AWG #18~#22	2.80mm(max)	Brass	Tin-plated	4,500 PCS

RoHS Compliant

TOLERANCES ARE



煜倫股份有限公司

www.morethanall.com

DRAWING BY CY

CHECKED BY GENIUS

UNIT / mm

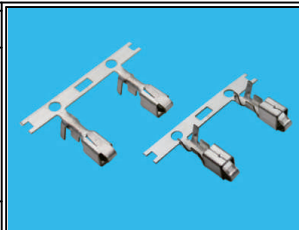
SCALE 1:1

DATE

SIZE A4

PPOJECTION

X, ±  
X, ±  
.XX ±  
.XXX ±  
ANG ±



ORDER INFORMATION

VA-T-18-LF  
SERIES | LEADFREE  
18~22 AWG  
TERMINAL

DESCRIPTION: