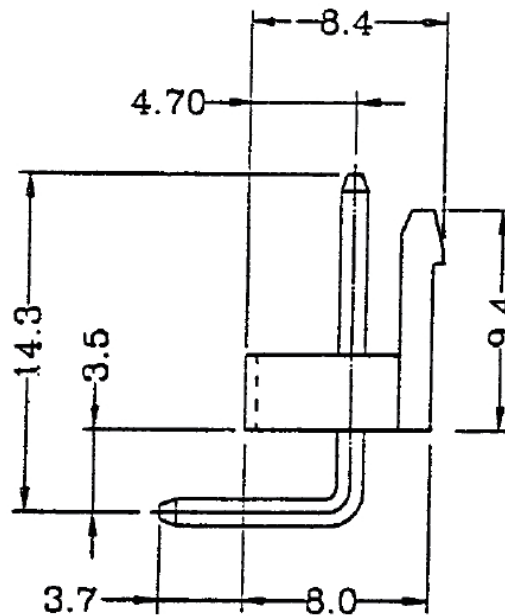
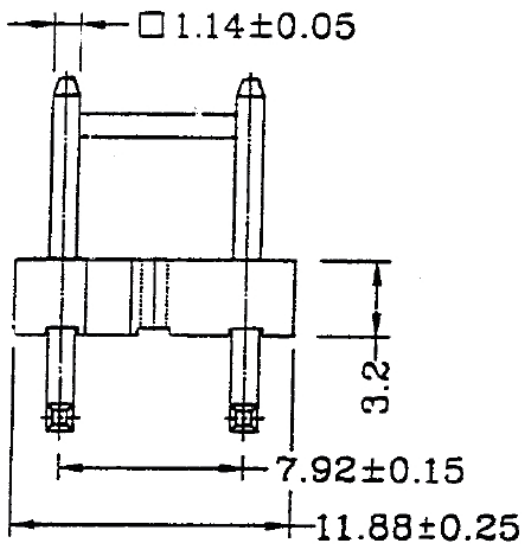


Material: Insulator: Nylon 66 UL 94V-0
 Contact: 1.14mm Tin Plated Square Pin
 D: Void 2nd Pin
 Unit quantity: 1000 Pcs/Bag

P.C.B. LAYOUT



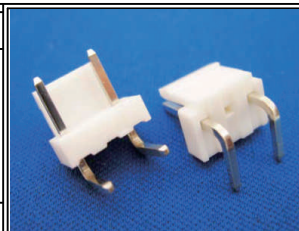
RoHS Compliant

TOLERANCES ARE

MORETHANALL
 PCB CONNECTORS
 Cable ASSEMBLIES

DRAWING BY CY
 CHECKED BY GENIUS
 UNIT / mm SCALE 1:1
 DATE

X.±
 .X±
 .XX±
 .XXX±
 ANG±



ORDER INFORMATION

VA-R-02-LF
 SERIES | LEADFREE
 02WAY
 DIP 90°

煜倫股份有限公司

www.morethanall.com

SIZE A4 PROJECTION

DESCRIPTION: