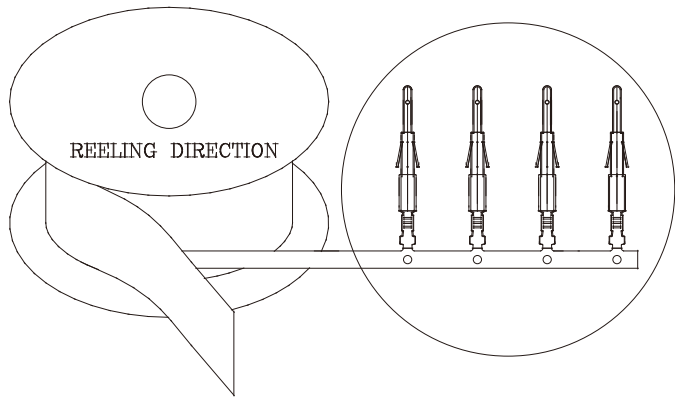


**MATERIALS:(RoHS Compliant)**

Contacts Socket: Phosphor Bronze

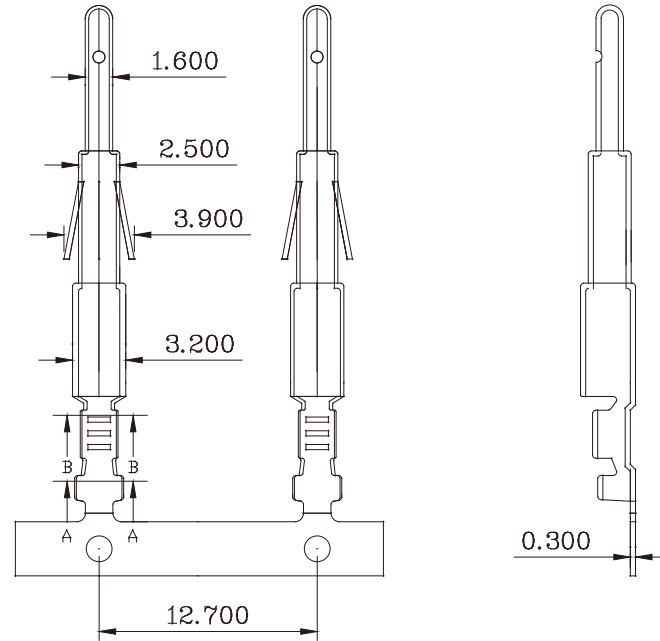
Contacts Pin: Brass

Wire Size: 22~28Awg Crimp Contacts

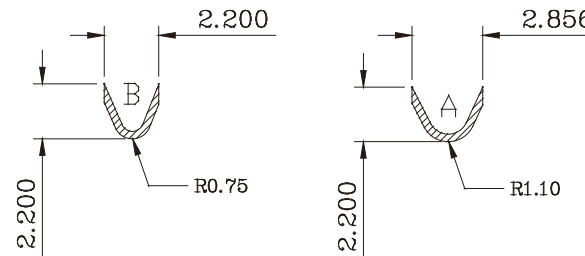


V.35 Pin Terminals

2500 Pins/reel



V.35 Pin Terminals



Tolerance:±0.1

**RoHS Compliant**

TOLERANCES ARE



煜倫股份有限公司

www.morethanall.com

DRAWING BY CY

CHECKED BY GENIUS

UNIT / mm SCALE 1 : 1

DATE

SIZE A4

PJECTION

X. ±  
.X ±  
.XX ±  
.XXX ±  
ANG ±

照片框

**ORDER INFORMATION**

V35-M-22-LF  
SERIES | LEADFREE  
22-28 AWG  
MALE TERMINAL

DESCRIPTION: V.35 Series Connector Contact Precision Formed