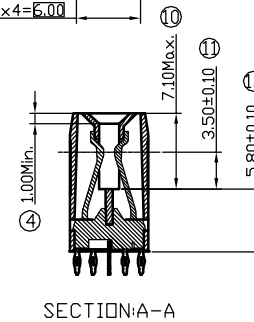
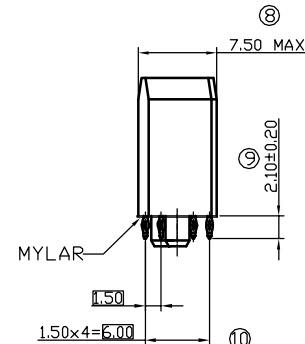
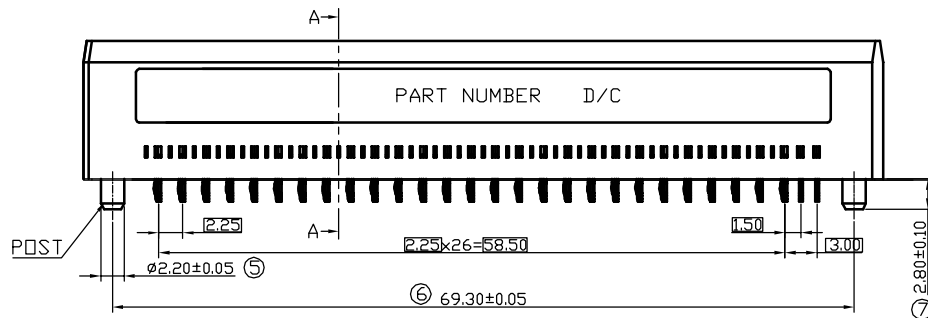
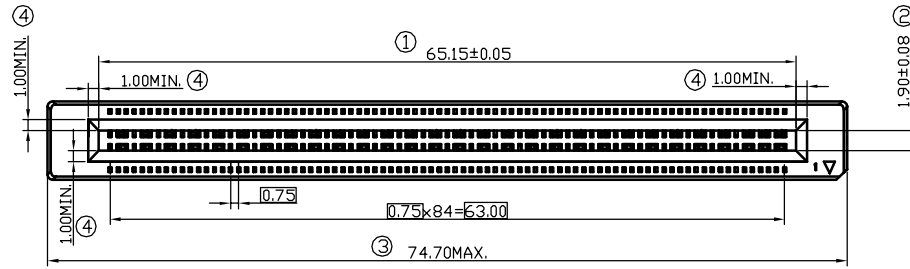


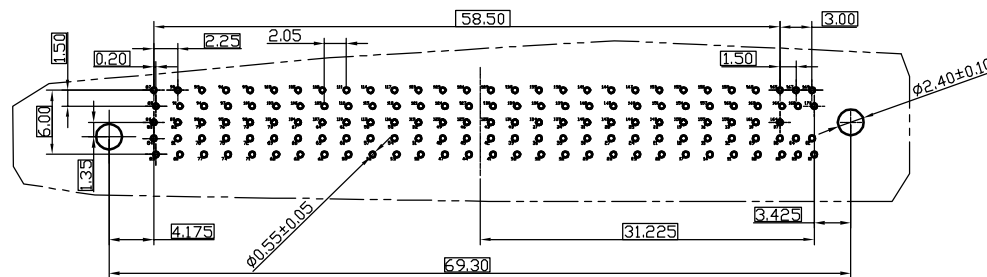
WITH POST

NOTE:

1. ALL DIMENSION ARE MM.
2. MATERIAL:
HOUSING:THERMAL PLASTIC UL94V-0,
COLOR:BLACK.
CONTACTS: COPPER ALLOY,
MYLAR: POLYETHYLENE TEREPHTHALATE.
3. FINISH: 30u" Min GOLD OR 30u" MIN PdNi+GOLD
OVER 50u" Min NICKEL IN CONTACT AREA;
50u" Min MATTE TIN OVER 50u" Min NICKEL
IN COMPLIANT PIN AREA.
4. PCB BOARD DIAMETER ϕ 0.55 \pm 0.05MM,
THICKNESS: 1.4mm MIN.
5. CONNECTOR MARKED WITH PART
NUMBER AND DATE CODE.
6. PRESS-FIT CONNECTOR PER
MicroTCA.0 SPECIFICATION.
7. RoHS DIRECTIVE COMPLIANCE.



SECTION A-A



PCB LAYOUT

RoHS Compliant

TOLERANCES ARE

MORETHANALL
PCB CONNECTORS
Cable ASSEMBLIES

煜倫股份有限公司

www.morethanall.com

DRAWING BY CY

CHECKED BY GENIUS

UNIT / mm SCALE 1 : 1

DATE

SIZE A4

X. \pm
.X \pm 0.25
.XX \pm 0.15
.XXX \pm 0.10
ANG \pm

P PROJECTION

照片框

ORDER INFORMATION

UTCA-PP-170-LF

SERIES | | LEADFREE

170 WAY

PSF+ POST

DESCRIPTION: MicroTCA AMC Connector Assy