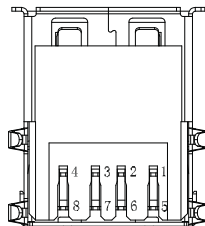
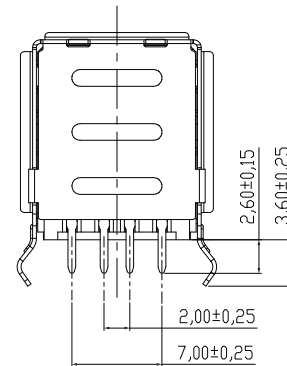
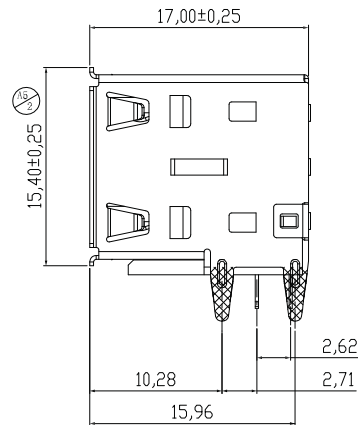
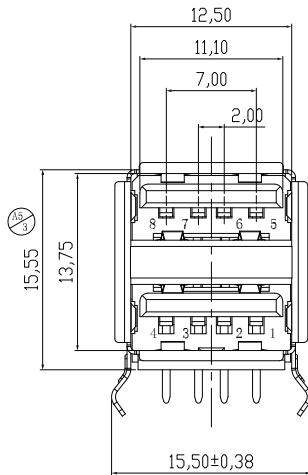


RECOMMEND P. C. B . LAYOUT  
(T=1.60±0.05)



- Material:
1. Housing: PBT+30%G. F. UL94V-0 Black/White
  2. Contact: C2680R-H
  3. Shell: SPCC
  4. Middle Spring: SUS201-H
- Plating:
1. Shell: Nickel Plated
  2. Contact: Contact Area G/F Plated  
Solder Area Sn Plated  
Under Plated Ni

- Specification:
1. Current: 1.5A
  2. Voltage: 30V RMS
  3. Withstanding Voltage: 500V AC
  4. Contact Resistance: 30 mΩ max.
  5. Insulation Resistance: 1000 MΩ min.
  6. Temperature Range: -25° C to +85° C
  7. Mating And unmating Force:
    - 7.1 Mating Force: 35N Max.
    - 7.2 Unmating Force: 10N Min.
  8. Durability: 1500 Cycles

RoHS Compliant

TOLERANCES ARE



煜倫股份有限公司

www.morethanall.com

DRAWING BY CY

CHECKED BY GENIUS

UNIT / mm

SCALE 1 : 1

DATE

SIZE A4

X. ±  
.X ± 0.30  
.XX ± 0.20  
.XXX ± 0.10  
ANG ±

PPOJECTION

照片框

ORDER INFORMATION

USB1-FRcc-4A-LF

SERIES | LEADFREE  
| 4 PIN A TYPE  
| BK:BLACK  
| BL:BLUE  
| WH:WHITE  
FEMALE | DIP 90°

DESCRIPTION: USB 2.0 AF 90° 雙層半包無彈