

RECOMMAND P.C.Board HOLE LAYOUT

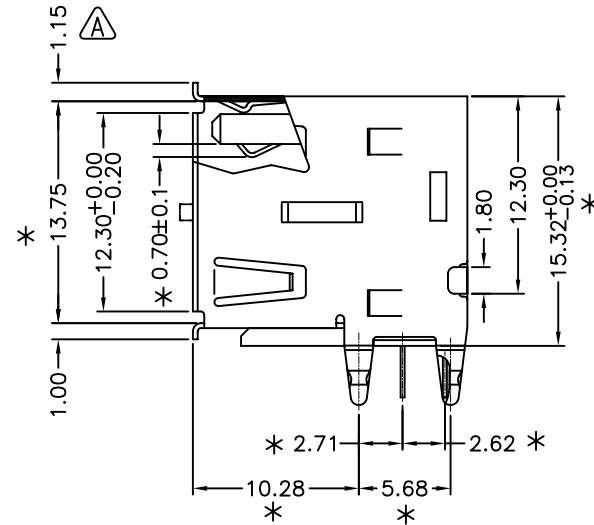
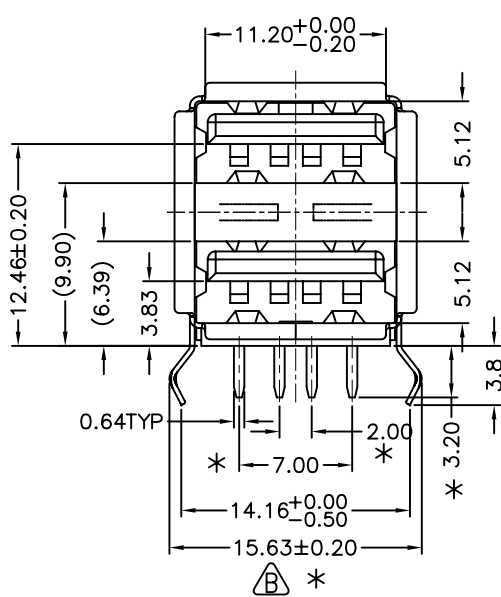
NOTE:

MATERIAL:

- 1).TERMINAL: PHOSPHOR BRONZE
- 2).TERMINAL PLATED: GOLD PLATING ON CONTACT AREA 100u" MIN. TIN ON SOLDER TAILOVER 50~100u" MIN. NICKEL.
- 3).FRONT SHELL: BRASS T=0.30mm  
BACK SHELL: SPCC. T=0.30mm  
SPRING SHELL: BRASS T=0.30mm
- 4).FRONT SHELL& SPRING SHELL PLATED: TIN PLATED  
BACK SHELL : NICKEL PLATED
- 5).HOUSING: P.B.T+30% G.F(UL94V-0) RATED

SPECIFICATION

- 1).CONTACT RESISTANCE: 25m Ω (MAX)
- 2).INSULATION RESISTANCE: 1000M Ω (MAX)
- 3).DIELECTRIC:WITHSTANDING VOLTAGE: 750A VC AT SEA LEVEL
- 4).MATING FORCE: 35N MAX  
UNMATING FORCE: 10N MIN.



USB B1-FRSxxxx-4A-LF LEADFREE  
 COLOR WH:WHITE BK:BLACK  
 BLANK:GOLD/FLASH S30:SEMI/GOLD/30u"

RoHS Compliant

**MORETHANALL**  
CONNECTORS ASSEMBLIES

PART NO. USB B1-FRSxxxx-4A

DWG NO. USB B1-FRSxxxx-4A

FILE NO.

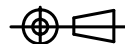
UNIT / mm

SCALE 1:1

APPROVED BY CY

DRAWING BY

PROJECTION



TOLERANCES ARE

.X ± 0.15  
.XX ± 0.13  
.XXX ± 0.05  
AWG

DESCRIPTION:

USB A TYPE DOUBLE

AREA

REVISIONS

HK

DATE

煜倫股份有限公司