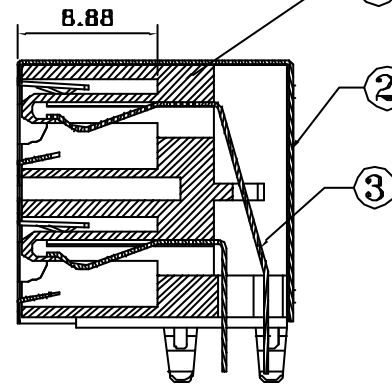
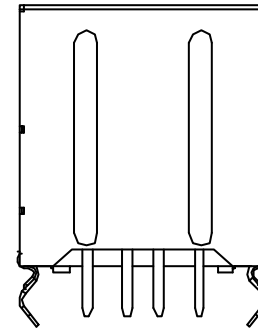
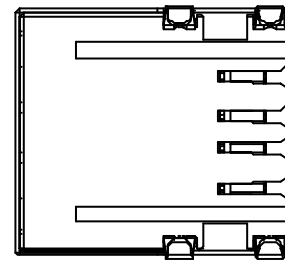
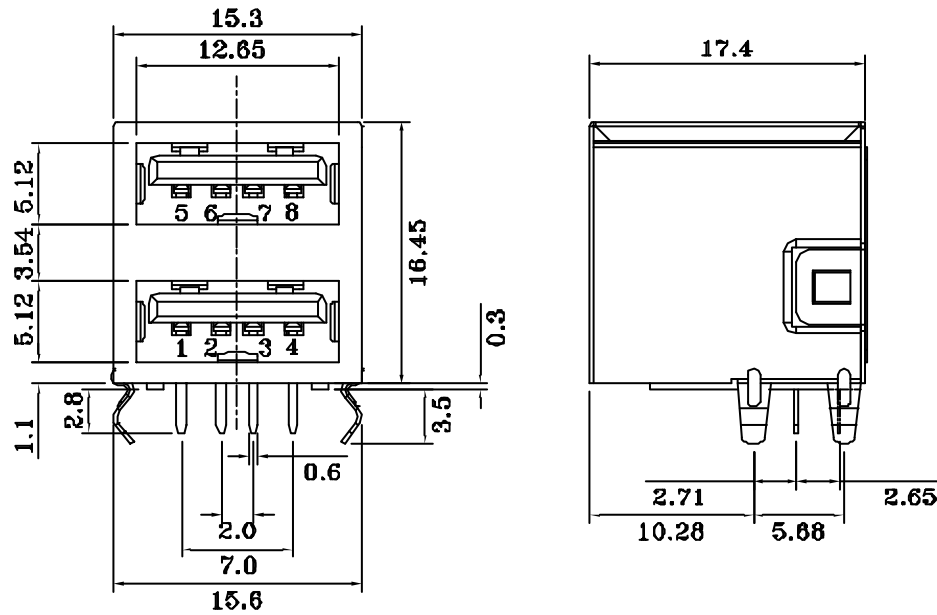
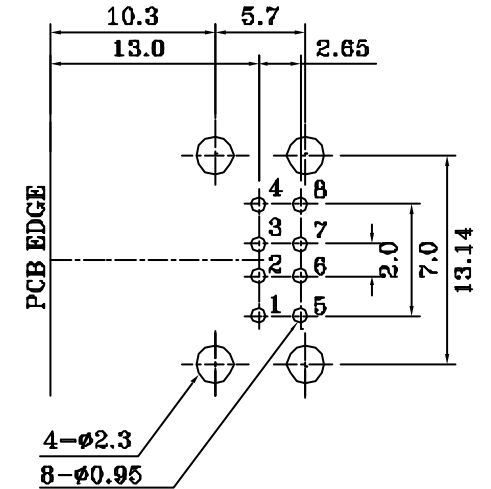


NO.	NAME	MATERIAL	FINISH	REMARK	Q'TY
1	HOUSING	PBT G.F.	WHITE		1
2	SHELL	BRASS T:0.25 mm	NICKEL PLATED	NI:80~120u"	1
3	PIN TERM.	PHOS. BRONZE T:0.25 mm	GOLD/TIN PLATED	Gold:1~3u"; NI:40~60u"; TIN:120u" (100% pure Tin of lead free plating)	8



SECTION A-A



PCB LAYOUT (BOTTOM VIEW)

USB1-FRMWH-4A-LF
LEADFREE
RoHS Compliant

MORETHANALL
CONNECTORS
ASSEMBLIES

PART NO.USB1-FRMWH-4A

DWG NO. USB1-FRMWH-4A

CHECKED BY CY

TOLERANCES ARE

.X ± 0.2
.XX ±
.XXX ±
AWG

DESCRIPTION:

煜倫股份有限公司

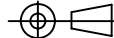
FILE NO.

DRAWING BY

UNIT / mm

SCALE 1:1

PROJECTION



AREA

REVISIONS

HK

DATE