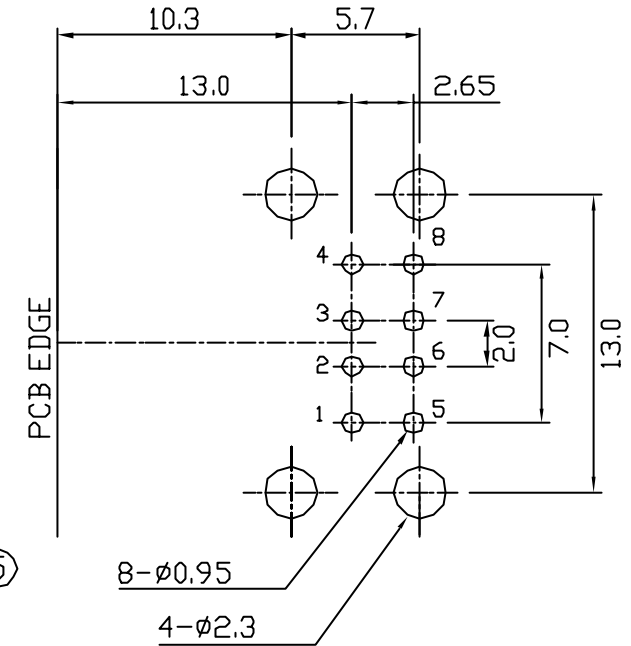
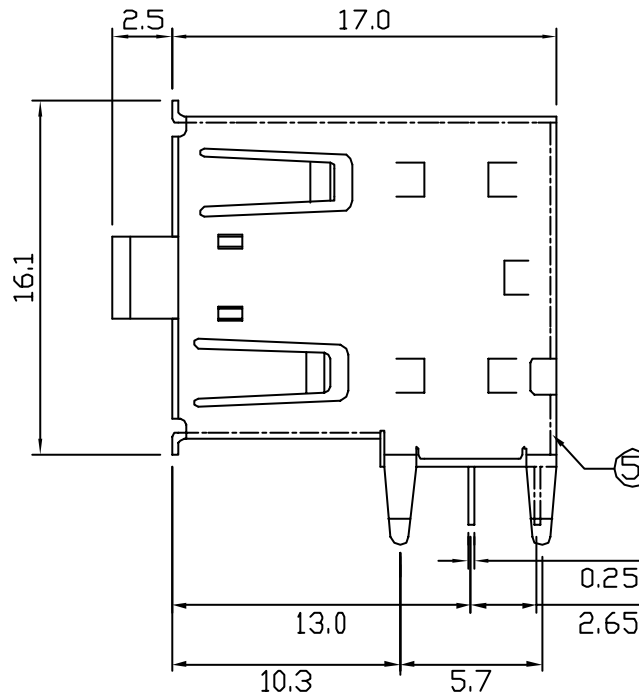
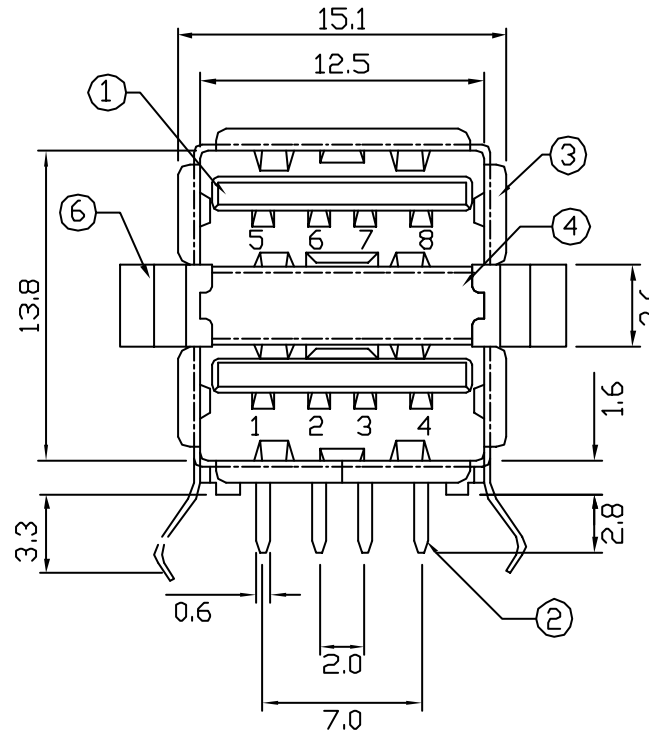


NO.	NAME	MATERIAL	FINISH	Q'TY	REMARK
1	HOUSING	P.B.T.	BLACK	1	
2	PIN TERM.	PHOS. BRONZE	GOLD-TIN PLATED	8	Gold:1~3u" ; NI:40~60u" ; TIN:120u" (100% pure Tin of lead free plating)
3	SHELL	BRASS,0.3mm	NICKEL PLATED	1	NI:80~120u"
4	SHELL	BRASS,0.3mm	NICKEL PLATED	1	NI:80~120u"
5	SHELL	SPCC,0.3mm	NICKEL PLATED	1	NI:80~120u"
6	GROUND SPRING	STAINLESS,0.1mm		1	

USBB1-FREBK-4A-LF
LEADFREE
RoHS Compliant



PCB LAYOUT
(BOTTOM VIEW)

MORETHANALL
CONNECTORS
ASSEMBLIES

PART NO. USBB1-FREBK-4A

DWG NO. USBB1-FREBK-4A

FILE NO.

CHECKED BY CY

DRAWING BY

TOLERANCES ARE

.X ± 0.2
.XX ±
.XXX ±
AWG

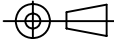
DESCRIPTION:

煜倫股份有限公司

UNIT / mm

SCALE 1:1

PROJECTION



AREA

REVISIONS

HK

DATE