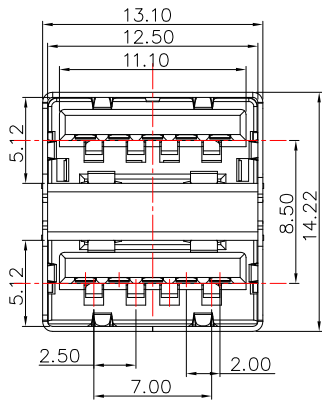


RECOMMENDED PCB LAYOUT



NOTE:

1.MATERIAL:

- 1.1 Housing: PA9T,Color: Blue
- 1.2 Contact: Phosphor Bronze
- 1.3 Shell: Brass

2.Finish:

- 2.1 Contact: Plated Gold in Mating Area ;  
Tin Plated on Solder Balls ;  
Nickel under plated overall
- 2.2 Shell: Nickel under Plated surface layer

3.SPECIFICATION:

- 3.1 Current Rate: 1.8 A(pin1&pin4) , 0.25A(other pin)
- 3.2 Insulator Resistance:100MΩ Min
- 3.3 Dielectric Strength: 100V AC
- 3.4 Contact Resistance: 30mΩ Max
- 3.5 Operation Temperature: -55°C ~ +85°C
- 3.6 Insertion Force: 35 N
- 3.7 Extraction Force: 10 N

RoHS Compliant

TOLERANCES ARE

**MORETHANALL**  
PCB CONNECTORS  
Cable ASSEMBLIES

煜倫股份有限公司

www.morethanall.com

DRAWING BY CY

CHECKED BY GENIUS

UNIT / mm

SCALE 1 : 1

DATE

SIZE A4

PPOJECTION

Up to 5 ±0.2  
Above 5 ~ 15 ±0.3  
Above 15 ~ 30 ±0.4  
Above 30 ~ 50 ±0.5  
Angle ±0.3°

照片框

ORDER INFORMATION

USB1-FDFX14BL-9A-LF

SERIES | | | LEADFREE  
9 PIN A TYPE  
BLUE  
HIGH 14.95mm  
FLANGELESS  
DIP 180°  
FEMALE

DESCRIPTION: USB AF 3.0 雙層無捲邊 DIP 180 度 L14