

RECOMMENDED P.C.B LAYOUT
TOLERANCE ± 0.05mm (TOP VIEW)

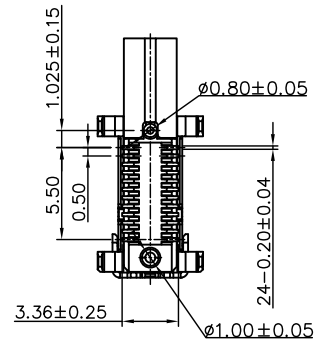
NOTES:

SPECIFICATION

- CURRENT RATING : 5.0A FOR Vbus PIN,
1.25A FOR Vconn PIN,
0.25A FOR OTHER PINS.
- VOLTAGE RATING : 20V DC MAX.
- CONTACT RESISTANCE : 40mΩ.
- INSULATION RESISTANCE : 100MΩ MIN.
- DIELECTRIC WITHSTANDING VOLTAGE : 100 VAC MIN.
- OPERATING TEMPERATURE : -40°C TO +85°C.
- MATING FORCE : 5~20N.
- UNMATING FORCE : 8~20N.
- DURABILITY : 10,000 CYCLES.
- RECOMMENDED PROCESS :
THE PEAK TEMPERATURE ON THE BOARD SHALL
MAINTAIN 260°C.

PIN ASSIGNMENT:

PIN	Signal Name	PIN	Signal Name
A1	GND	B12	GND
A2	SSTXp1	B11	SSRXp1
A3	SSTXn1	B10	SSRXn1
A4	Vbus	B9	Vbus
A5	CC1	B8	SBU2
A6	Dp1	B7	DN2
A7	Dn1	B6	DP2
A8	SBU1	B5	CC2
A9	Vbus	B4	Vbus
A10	SSRXn2	B3	SSTXn2
A11	SSRXp2	B2	SSTXp2
A12	GND	B1	GND



NO.	DESCRIPTION	MATERIAL	REMARKS	QTY
5	GND Plate	STAINLESS STEEL	Ni 30u" Min Plating	1PCS
4	MID PLATE	STAINLESS STEEL	Ni 30u" Min Plating	1PCS
3	SHELL	STAINLESS STEEL	Overall Ni 50~100u"	1PCS
2	CONTACT	Copper Alloy or Equivalent	Plating Contact Area 30u" Au; Solder Area 0.7" Au Overall Ni 50~100u"	24PCS
1	HOUSING	High temperature Thermo-Plastic, UL94-V0	BLACK	1PCS

RoHS Compliant

TOLERANCES ARE

MORETHANALL
PCB CONNECTORS
Cable ASSEMBLIES

煜倫股份有限公司

www.morethanall.com

DRAWING BY CY

CHECKED BY GENIUS

UNIT / mm SCALE 1 : 1

DATE

SIZE A4

X, ± 0.50

.X ± 0.30

.XX ± 0.20

.XXX ±

ANG ±

PJECTION

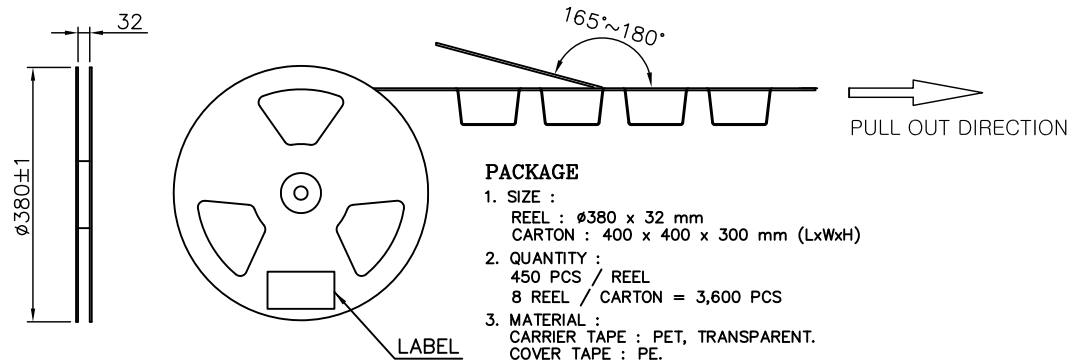
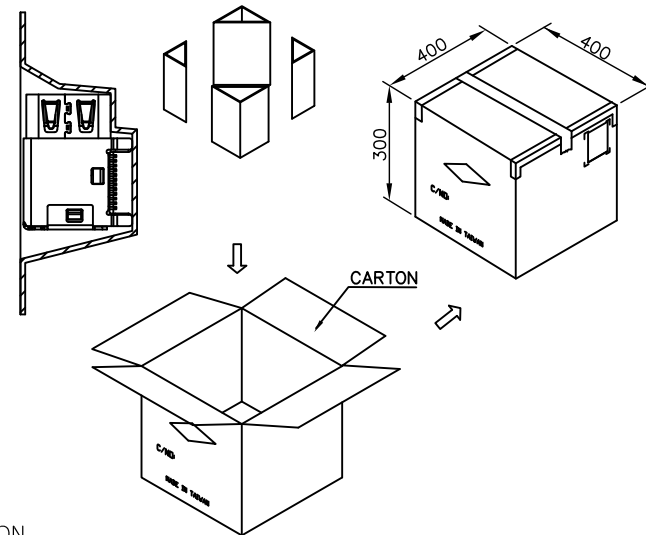
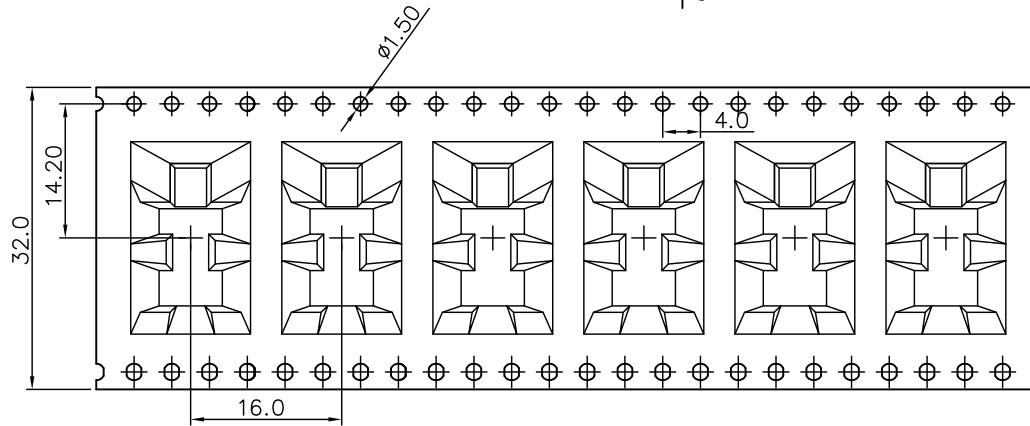
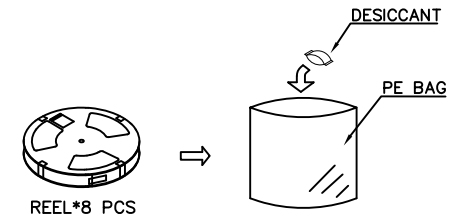
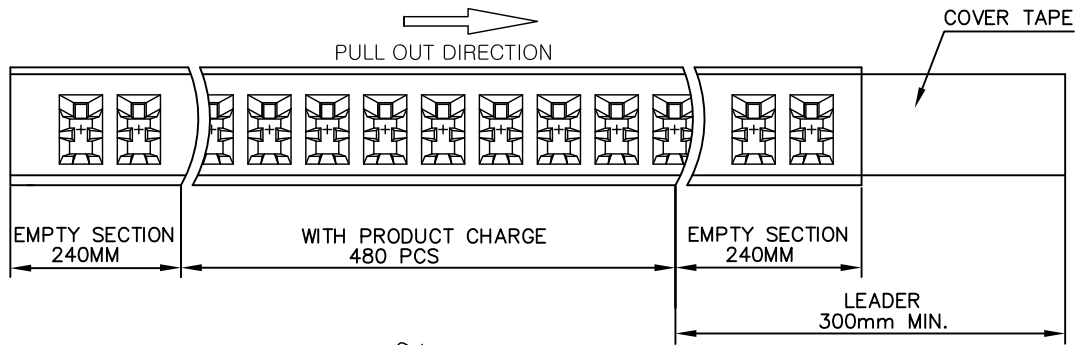
照片框

ORDER INFORMATION

USB-SWUMP2R-24C-LF

SERIES | | | | | LEADFREE
24 PIN C TYPE
FEMALE | | | | | POST
90°SMT | | | | | METAL
| | | | | UPRIGHT

DESCRIPTION: USB C TYPE 24PIN FEMALE 侧插双排SMT 板上中心5.06



PACKAGE

1. SIZE :
 REEL : $\phi 380 \times 32$ mm
 CARTON : $400 \times 400 \times 300$ mm (LxWxH)
2. QUANTITY :
 450 PCS / REEL
 8 REEL / CARTON = 3,600 PCS
3. MATERIAL :
 CARRIER TAPE : PET, TRANSPARENT.
 COVER TAPE : PE.

RoHS Compliant

TOLERANCES ARE

MORETHANALL
 PCB CONNECTORS
 Cable ASSEMBLIES

煜倫股份有限公司

www.morethanall.com

DRAWING BY CY

CHECKED BY GENIUS

UNIT / mm SCALE 1 : 1

DATE

SIZE A4

X. ± 0.50
 .X ± 0.30
 .XX ± 0.20
 .XXX \pm
 ANG \pm

PJECTION

照片框

ORDER INFORMATION

USB-SWUMP2R-24C-LF
 SERIES | | | | | LEADFREE
 | | | | | 24 PIN C TYPE
 FEMALE | | | | | POST
 90°SMT | | | | | METAL
 | | | | | UPRIGHT

DESCRIPTION: USB C TYPE 24PIN FEMALE 侧插双排SMT 板上中心5.06