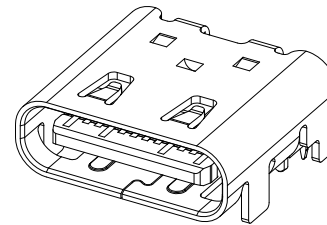
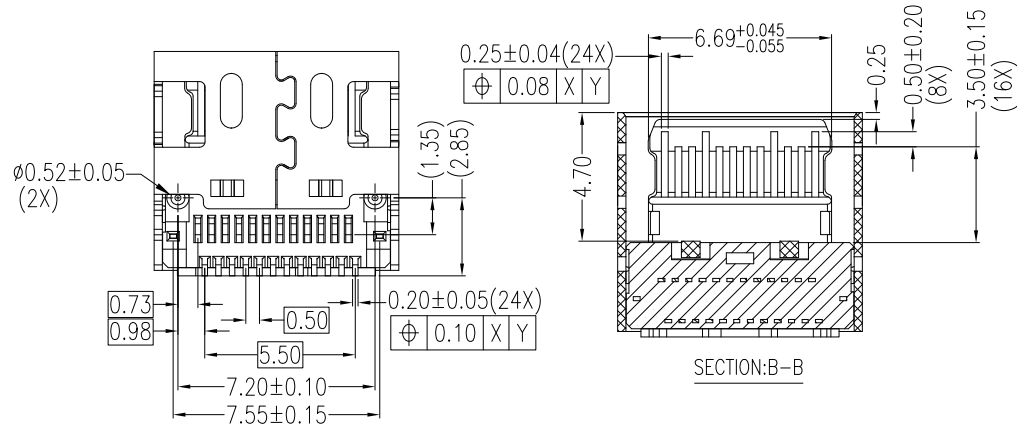
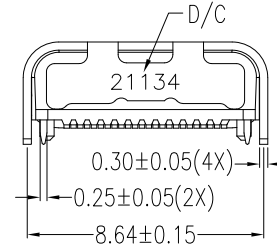
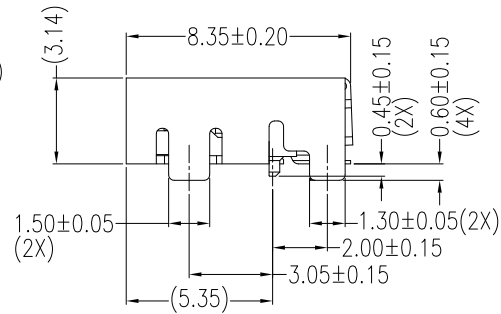
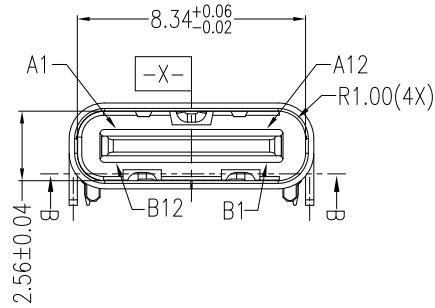


DATE	CODE	DESCRIPTION
21	13	4
		Thursday
		13 Weeks
		Year



**NOTES:**

**\*Material**

Housing: LCP, UL94 V-0;  
 Contacts: Phosphor Bronze ;  
 Plating: Au Plating On Contact Area;  
 Sn(100u" Min.) Plating On Solder Tail;  
 Ni(50u" Min.) Underplating Overall;  
 Shell: SUS;  
 Plating: Ni(50u" Min.) Plated Overall.  
 Shielding Plate: SUS; Ni(50u" Min.) Plated Overall.

**\*Mechanical**

Insertion Force: 5~20N.  
 Withdrawal Force: 8~20N.  
 Durability: 10000 Cycles

**\*Electrical Specification**

Current Rating: Vbus pins 5A; CC2 pin 1.25A;  
 Other pins 0.25A;  
 Voltage Rating: 20V Max.  
 Contact Resistance: 40mΩ Max.  
 Insulation Resistance: 100MΩ Min.  
 Dielectric Withstanding Voltage: 100V AC Min.

**\*Environmental**

Operating Temperature: -55°C To +85°C

**PIN ASSIGNMENT:**

Pin No.	Signal Name	Pin No.	Signal Name
A1	GND	B12	GND
A2	SSTXp1	B11	SSRXp1
A3	SSTXn1	B10	SSRXn1
A4	VBUS	B9	VBUS
A5	CC1	B8	SBU2
A6	Dp1	B7	Dn2
A7	Dn1	B6	Dp2
A8	SBU1	B5	CC2
A9	VBUS	B4	VBUS
A10	SSRXn2	B3	SSTXn2
A11	SSRXp2	B2	SSTXp2
A12	GND	B1	GND

**RoHS Compliant**

TOLERANCES ARE



DRAWING BY CY

CHECKED BY GENIUS

UNIT / mm

SCALE 1 : 1

DATE

SIZE A4

PJECTION

X, ±  
 .X ± 0.20  
 .XX ± 0.10  
 .XXX ± 0.05  
 ANG ± 3°

照片框

**ORDER INFORMATION**

**USB-SWMP8672MMSR-24C-LF**

SERIES

FEMALE

90°SMT

METAL FOOT & POST 8.64x7.20mm

LEADFREE

24 PIN C TYPE

REEL

SPRING

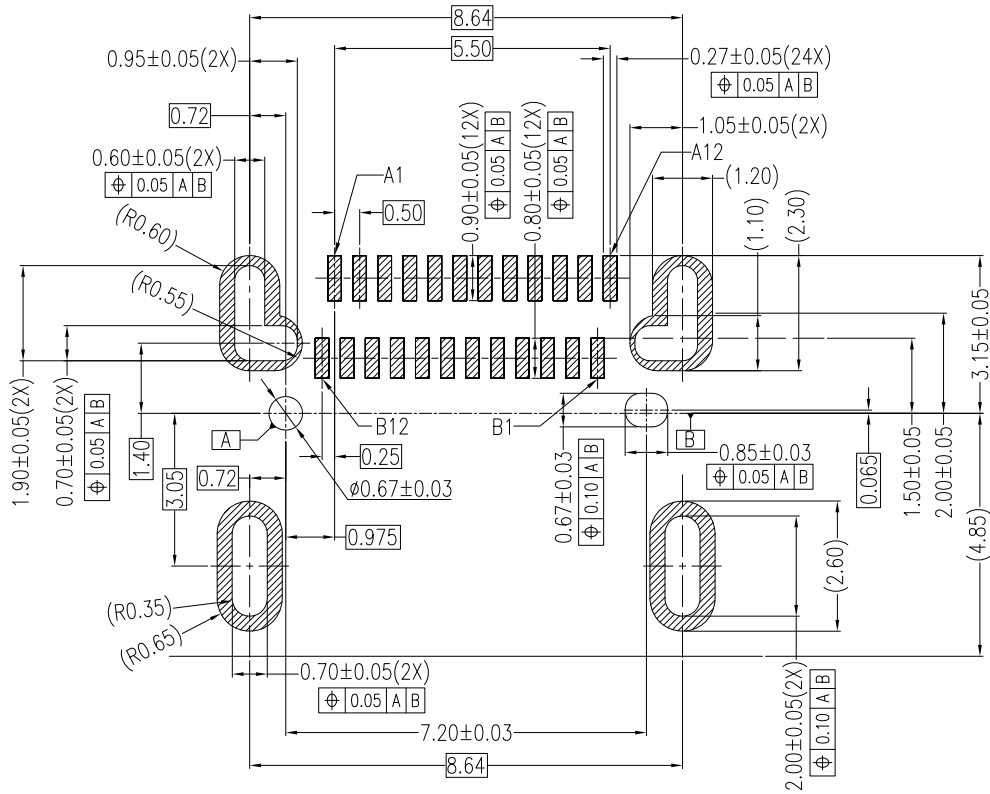
METAL PIN

METAL FOOT

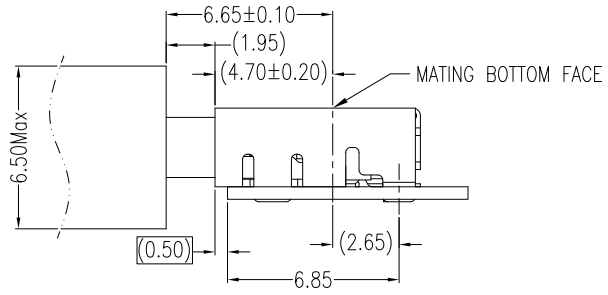
DESCRIPTION: USB4 Dual SMT CH1.57

煜倫股份有限公司

www.morethanall.com



P.C.B LAYOUT(T=0.80mm)(For PIP)  
COMPONENT SIDE



MATED CONDITION(REF.)

RoHS Compliant

TOLERANCES ARE

照片框

ORDER INFORMATION

**MORETHANALL**  
PCB CONNECTORS  
Cable ASSEMBLIES

DRAWING BY CY

CHECKED BY GENIUS

UNIT / mm SCALE 1 : 1

DATE

SIZE A4 PROJECTION

X, ±  
.X ± 0.20  
.XX ± 0.10  
.XXX ± 0.05  
ANG ± 3°

USB-SWMP8672MMSR-24C-LF

SERIES

FEMALE

90°SMT

METAL FOOT & POST 8.64x7.20mm

LEADFREE

24 PIN C TYPE

REEL

SPRING

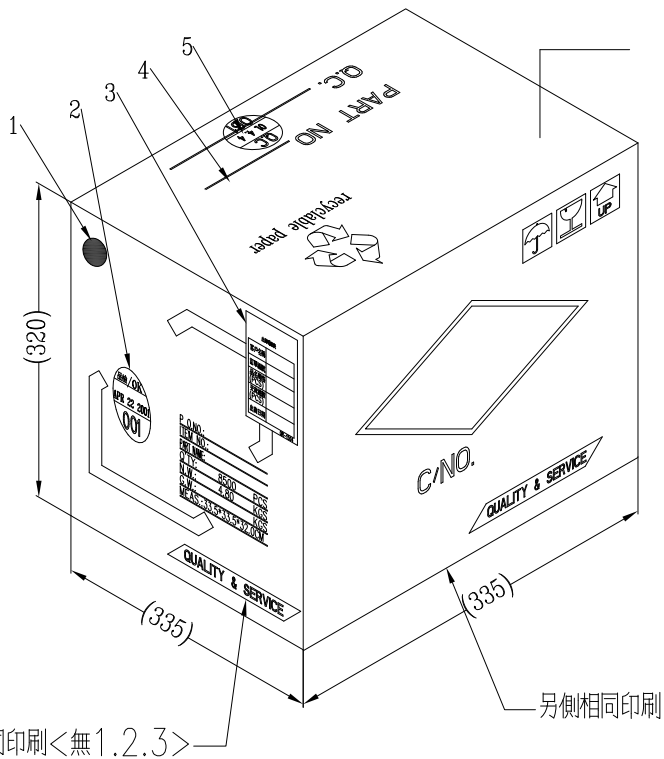
METAL PIN

METAL FOOT

煜倫股份有限公司

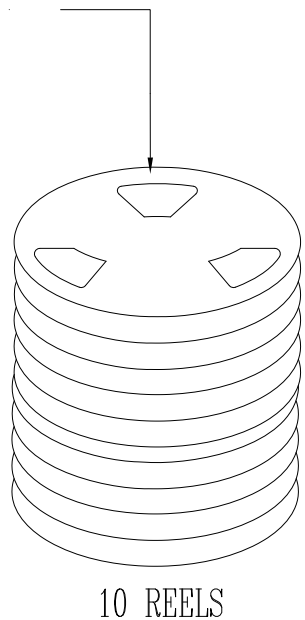
www.morethanall.com

DESCRIPTION: USB4 Dual SMT CH1.57



另側相同印刷<無1.2.3>

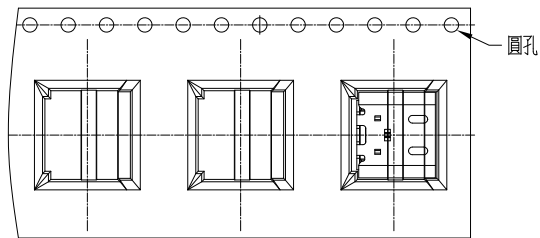
另側相同印刷



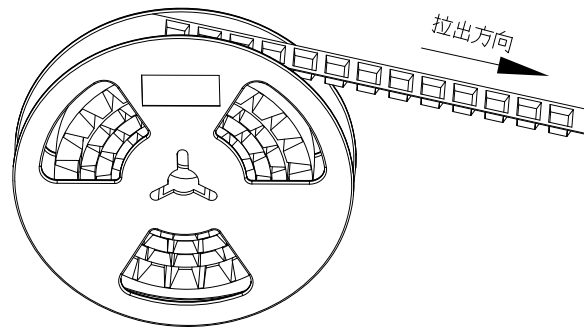
10 REELS



隔板: 2PCS(上下各1PCS)



產品拉出方向



出貨明細表

客戶名稱	
訂單編號	
品名規格	
交貨總數 (PCS)	
單箱數量 (PCS)	
出貨日期	

QR-1504

\*加蓋印記位置

1. 月份標記.
2. 品管注介章 (檢驗合格章)
3. 出貨明細表
4. 該產品料號.
5. 生產製造日期, 檢驗員代號.
6. 紙箱尺寸為內空間尺寸.

類型	材質	規格(Unit:mm)	數量
外箱	A=A	335*335*320	1PCS
隔板	A1A	332*332*3	2PCS
旋轉膠盤	PS	φ330*φ100	10PCS
承載膠帶	PS(透明)	24(W)*14400(L)*0.40(T)	10PCS
壓敏膠帶	PET	21.3(W)*14550(L)*0.05(T)	150.0m/箱
PE袋	PE	600(開口)*1000*0.05	1PCS

- 注: 1. 成品組裝完成並QC完之後, 將其裝入承載帶內, 同時用壓敏膠帶冷封。  
 2. 檢查REEL包裝卷帶是否有鬆動, 如有鬆動, 需重新貼緊。  
 3. 全檢OK後, 將Reel盤裝入PE袋, FQC復檢。  
 4. 若包裝易吸濕產品在PE袋內加放1包干燥劑, 外箱貼易吸濕標籤。  
 5. 每一REEL卷盤上都要貼上料號及蓋印本廠D/C和數量, 若有特殊要求請貼上客戶料號等。  
 標籤貼在橢圓孔的一邊, 每一REEL卷盤上都要在標籤上蓋印D/C, 特別注明:  
 ① 產品上有噴D/C, 則不需蓋印本廠D/C. ② 客戶標籤上含蓋有D/C的, 不需蓋印本廠D/C。  
 6. 產品裝好REEL出貨時, 卷入端空30PCS不放產品, 拉出端空20PCS。

\*PACKING

850 PCS/REEL  
 10 REELS/CARTON(共計8500pcs)

\*PACKING DETAILS

P/O.NO.:  
 ITEM NO.:  
 PART NAME:  
 Q'TY: 8500 PCS  
 N.W.: 4.80 KGS  
 G.W.: KGS  
 MEAS.: 33.5\*33.5\*32.0 CM

RoHS Compliant

TOLERANCES ARE

**MORETHANALL**  
 PCB CONNECTORS  
 Cable ASSEMBLIES  
**煜倫股份有限公司**

DRAWING BY CY

CHECKED BY GENIUS

UNIT / mm SCALE 1 : 1

DATE

SIZE A4

X, ±  
 .X ± 0.50  
 .XX ±  
 .XXX ±  
 ANG ±

P PROJECTION

照片框

ORDER INFORMATION

USB-SWMP8672MMSR-24C-LF

SERIES

FEMALE

90°SMT

METAL FOOT & POST 8.64x7.20mm

LEADFREE

24 PIN C TYPE

REEL

METAL PIN

METAL FOOT

DESCRIPTION: USB4 Dual SMT CH1.57

www.morethanall.com