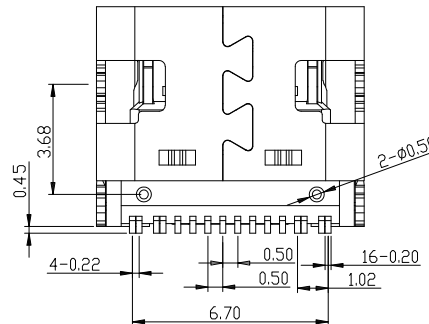
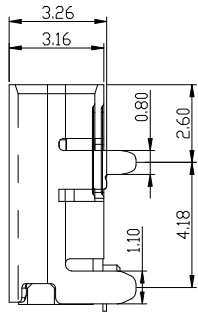
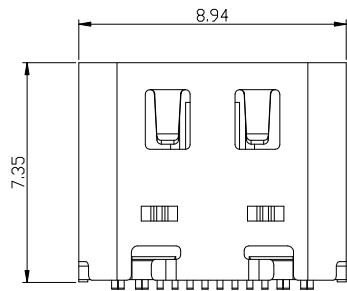


RECOMMENDED P.C.B. LAYOUT



SPECIFICATIONS

Electrical:

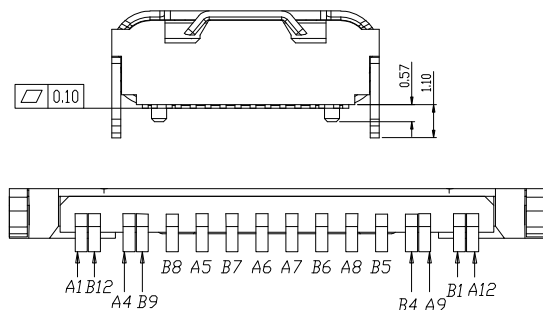
1. Dielectric Withstand Voltage: 100V AC
2. Contact Resistance: 30 mΩ Max
3. Insulation Resistance: 100 MΩ Min

Material:

1. Housing: LCP
2. Contact: Copper Alloy
3. Shell: SUS

Finish:

1. Contact: Plated Gold in Mating Area ;
Gold Plated on Solder Balls ;
Nickel under plated overall
2. Shell: Nickel under Plated surface layer



A1	GND	B12	GND
A4	VBUS	B9	VBUS
A5	CC1	B8	SBU2
A6	DP1	B7	DN2
A7	DN1	B6	DP2
A8	SBU1	B5	CC2
A9	VBUS	B4	VBUS
A12	GND	B1	GND
PIN	SIGNAL NAME	PIN	SIGNAL NAME

RoHS Compliant

TOLERANCES ARE

MORETHANALL
PCB CONNECTORS
Cable ASSEMBLIES

DRAWING BY CY

CHECKED BY GENIUS

UNIT / mm

SCALE 1 : 1

DATE

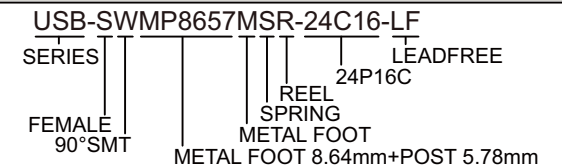
SIZE A4

PJECTION

Up to 5 ±0.2
Above 5 ~ 15 ±0.3
Above 15 ~ 30 ±0.4
Above 30 ~ 50 ±0.5
Angle ±0.3°

照片框

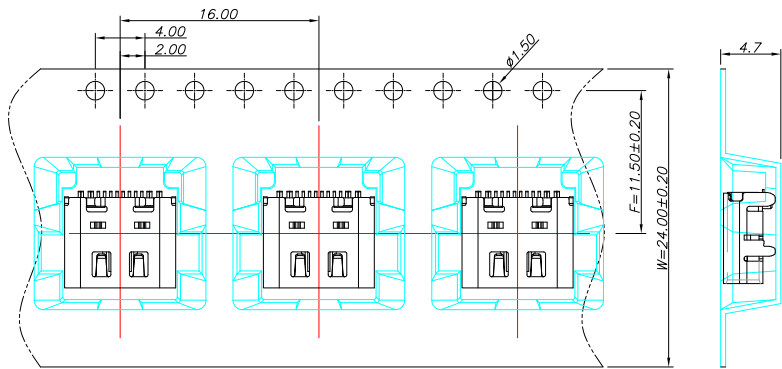
ORDER INFORMATION



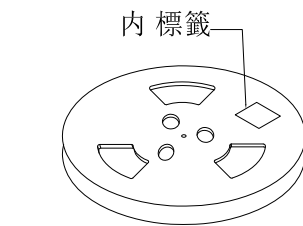
DESCRIPTION: USB TYPE C 2.0 板上型帶彈片

煜倫股份有限公司

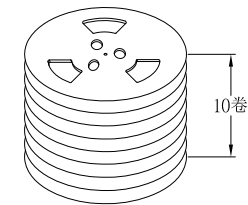
www.morethanall.com



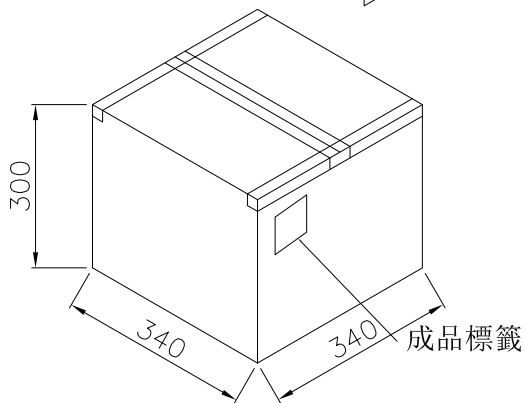
① 產品入載帶示意圖



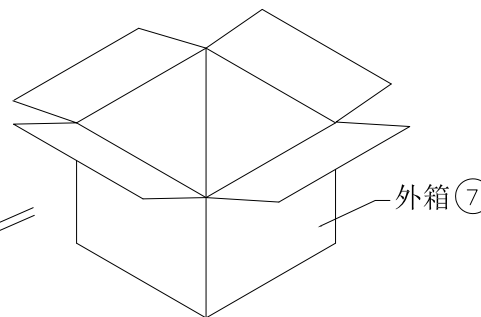
② 卷盤貼標籤示意圖



③ 10盤產品疊層示意圖



⑤ 外箱封箱示意圖



④ 產品入外箱示意圖

圖四

包裝說明:

1. 將檢驗好的成品;SMT朝下放入載帶底部;每卷裝1000PCS產品;具體如圖一所示
2. 將包裝好的產品;每盤必需貼上內標籤;具體如圖二所示
3. 將貼好內標籤的產品每10盤疊;具體如圖三圖四所示
4. 裝好後並封好紙箱及貼好相關標籤;具體如圖六所示;
(產品包裝的標籤,如客戶有要求,請按客戶要求包裝出貨)
5. 載帶前面留10PCS空格,後面留10PCS空格

RoHS Compliant

TOLERANCES ARE

MORETHANALL
PCB CONNECTORS
Cable ASSEMBLIES

DRAWING BY CY

CHECKED BY GENIUS

UNIT / mm

SCALE 1 : 1

DATE

SIZE A4

PJECTION

Up to 5 ±0.2
Above 5 ~ 15 ±0.3
Above 15 ~ 30 ±0.4
Above 30 ~ 50 ±0.5
Angle ±0.3°

照片框

ORDER INFORMATION

USB-SWMP8657MSR-24C16-LF
SERIES | REEL | SPRING | METAL FOOT | LEADFREE
FEMALE 90°SMT | METAL FOOT 8.64mm+POST 5.78mm

DESCRIPTION: REEL PACKING

煜倫股份有限公司

www.morethanall.com