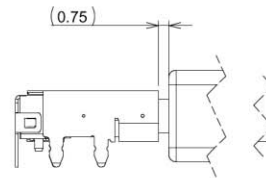
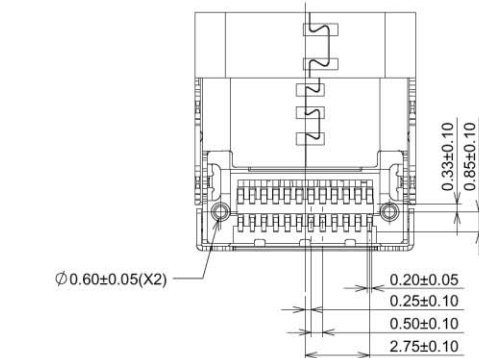
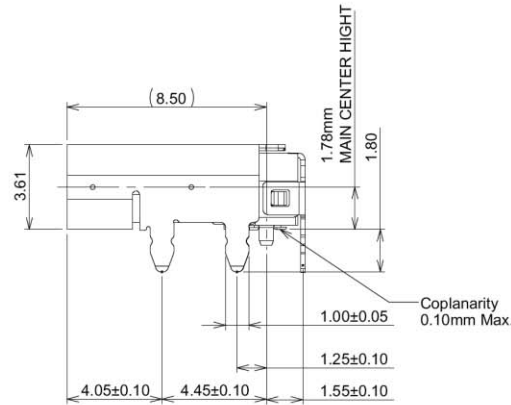
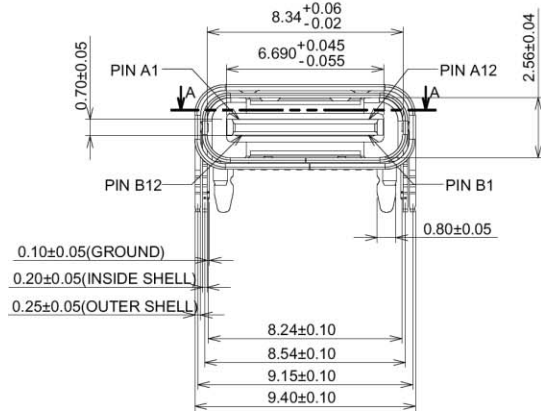
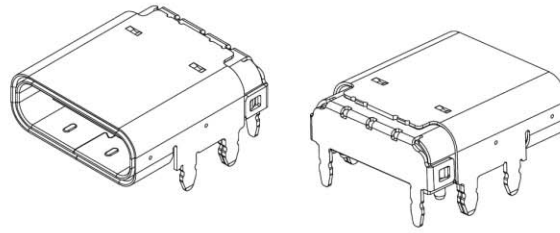
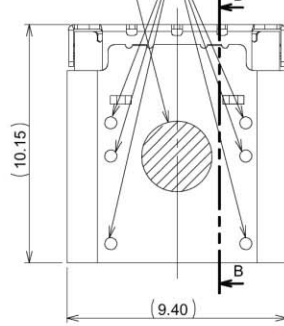


Ø3.00 VACUUM PICK AREA
LASER WELDIND POSITIONS



ITEM	NAME	QTY	PART#	MATERIAL / FINISH
6	OUTER SHELL	1		METAL / NI PLATED
5	SHELL	1		METAL / NI PLATED
4	EMI RING	2		METAL / NI PLATED
3	GROUND PLATED	1		METAL / NI PLATED
2	CONTACT	24		COPPER ALLOY/AU PLATED
1	HLAF PRODUCT	1		HI -TEMP. G.F. UL94V-0

PIN NO.	A1	A2	A3	A4	A5	A6	A7	A8	A9	A10	A11	A12
SIGNAL NAME	GND	SSTXp1	SSTXn1	VBUS	CC1	Dp1	Dn1	SBU1	VBUS	SSRXn2	SSRXp2	GND
PIN NO.	B12	B11	B10	B9	B8	B7	B6	B5	B4	B3	B2	B1
SIGNAL NAME	GND	SSRXp1	SSRXn1	VBUS	SBU2	Dn1	Dp1	CC2	VBUS	SSTXn2	SSTXp2	GND

RoHS Compliant

TOLERANCES ARE

MORETHANALL
PCB CONNECTORS
Cable ASSEMBLIES

DRAWING BY CY

X. ± 0.38

CHECKED BY GENIUS

.X ± 0.25

UNIT / mm

SCALE 1 : 1

.XX ± 0.13

DATE

.XXX ± 0.05

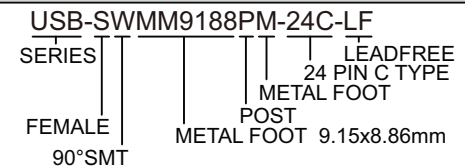
ANG ±

SIZE A4

PJECTION

照片框

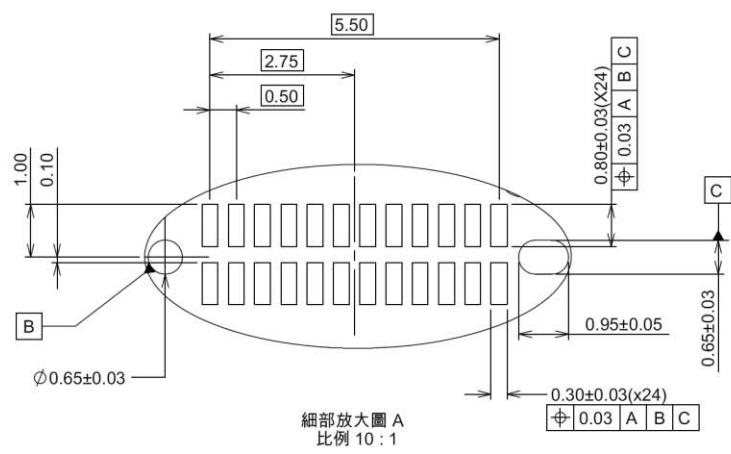
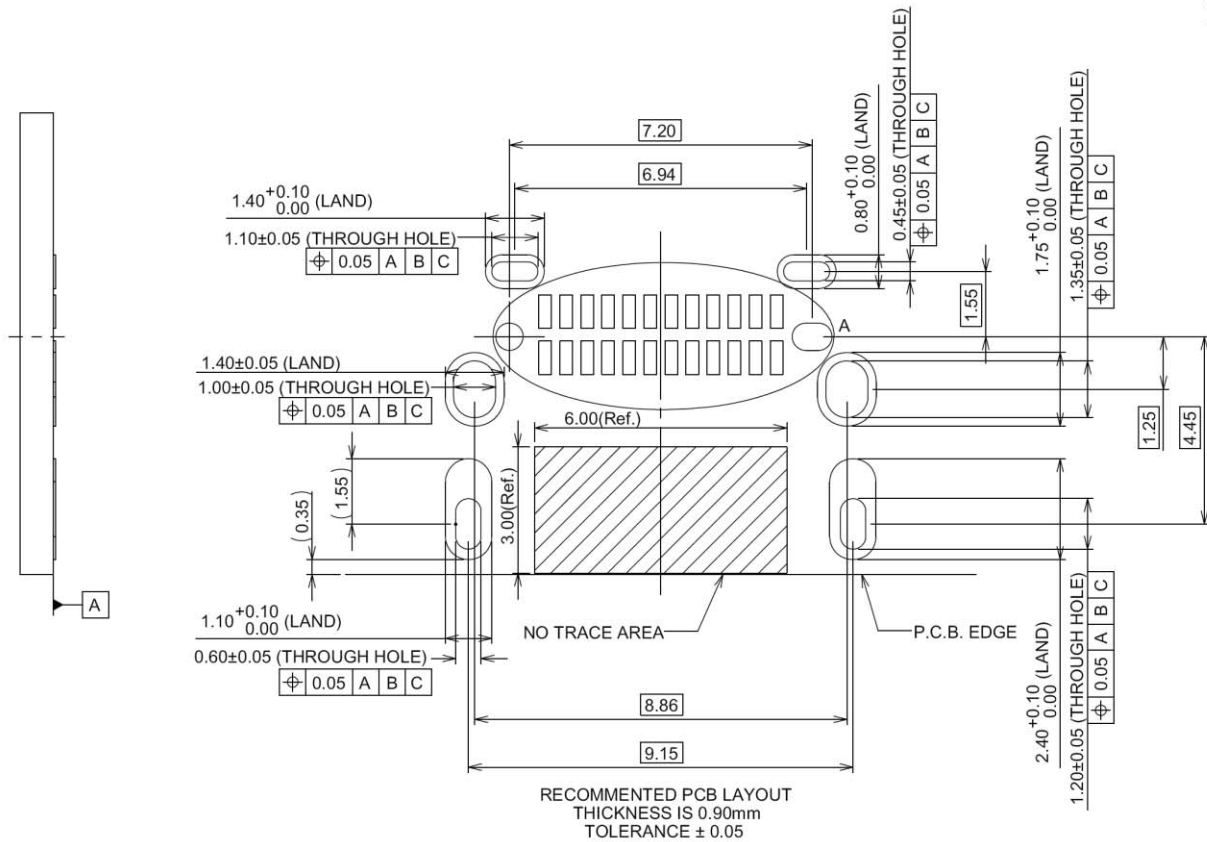
ORDER INFORMATION



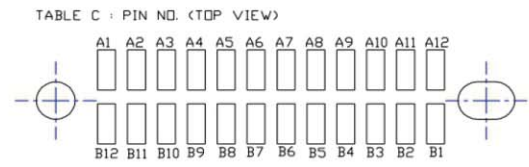
煜倫股份有限公司

www.morethanall.com

DESCRIPTION: USB TYPE-C 3.1 (10Gbps) CONN. RECEPTACLE - TOP MOUNT TYPE



- 細部放大圖 A
比例 10 : 1
- NOTES :
- ELECTRICAL CHARACTERISTIC :
 - LOW LEVEL CONTACT RESISTANCE:
INITIAL : 40 mΩ FOR ALL CONTACT MAXIMUM.
AFTER : 10 mΩ MAXIMUM CHANGE.
 - DIELECTIC WITHSTANDING VOLTAGE :
100 VAC FOR ONE MINUTE SEA LEVEL.
 - INSULATION RESISTANCE :
100 mΩ MINIMUM.
 - CURRENT RATING :
VBUS AND GND CONTACTS RATED AT 1.25A EA.
PARALLELED FOR A TOTAL OF 5A.
 - MECHANICAL CHARACTERISTIC :
 - INSERTION FORCE : 20N MAXIMUM.
 - EXTRACTION FORCE 1~1000 CYCLES 8N MINIMUM. 20N MAXIMUM.
EXTRACTION FORCE 1001~10000 CYCLES 6N MINIMUM. 20N MAXIMUM.
 - DURABILITY : 10,000 CYCLES.
 - OPERATING TEMPERATURE : -55°C TO +85°C



MORETHANALL
PCB CONNECTORS
Cable ASSEMBLIES
煜倫股份有限公司
www.morethanall.com

RoHS Compliant		TOLERANCES ARE
DRAWING BY CY		X, ± 0.38
CHECKED BY GENIUS		.X ± 0.25
UNIT / mm	SCALE 1 : 1	.XX ± 0.13
DATE		.XXX ± 0.05
SIZE A4	PJECTION	ANG ±



ORDER INFORMATION

USB-SWMM9188PM-24C-LF

SERIES	LEADFREE
FEMALE	24 PIN C TYPE
90°SMT	METAL FOOT
	POST
	METAL FOOT 9.15x8.86mm

DESCRIPTION: USB TYPE-C 3.1 (10Gbps) CONN. RECEPTACLE - TOP MOUNT TYPE