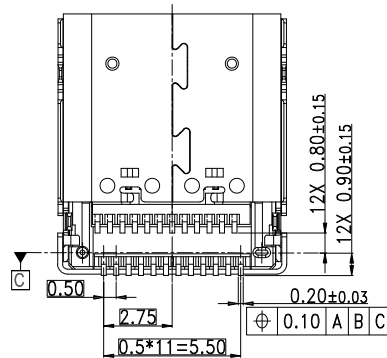
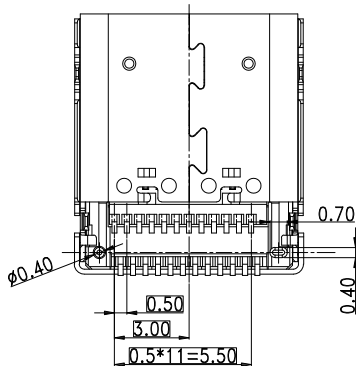
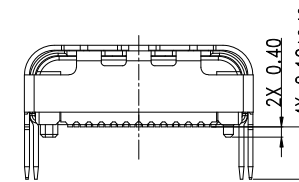
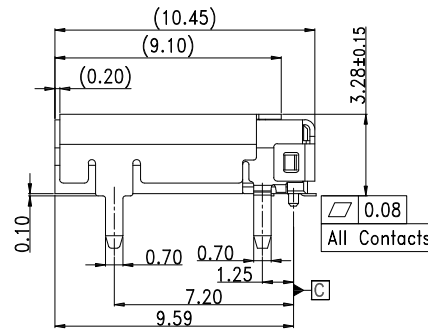
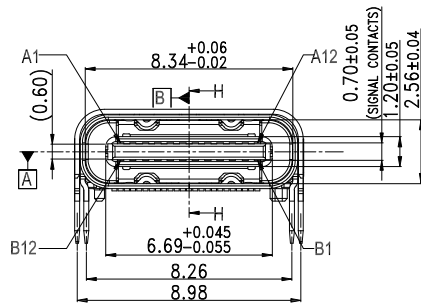


| Pin No | Signal Name | Mating Sequence | Pin No | Signal Name | Mating Sequence |
|--------|-------------|-----------------|--------|-------------|-----------------|
| A1 | GND | First | B11 | RX1+ | Second |
| A2 | TX1+ | Second | B10 | RX1- | Second |
| A3 | TX1- | Second | B9 | Vbus | First |
| A4 | Vbus | First | B8 | SBU2 | Second |
| A5 | CC1 | Second | B7 | D- | Second |
| A6 | D+ | Second | B6 | D+ | Second |
| A7 | D- | Second | B5 | CC2 | Second |
| A8 | SBU1 | Second | B4 | Vbus | First |
| A9 | Vbus | First | B3 | TX2- | Second |
| A10 | RX2- | Second | B2 | TX2+ | Second |
| A11 | RX2+ | Second | B1 | GND | First |
| A12 | GND | First | SHELL | GND | |
| SHELL | GND | | SHELL | GND | |



Notes:

1,Material :

Contacts : copper alloy

Shell : Stainless steel.

Housing : High-temperature polymer UL94V-0, black.

2,Plating :

Contacts:contact area 30u" Au, Solder tail gold flash or matte tin, nickel overall.

Shell : Nickel Plating

3.Coplanarity : 0.08Max.

4.Packaging type: carrier tape.

5.Material should be fulfilled Amphenol spec# SSN002

AND Customer Requirements,for halogen free products, also need to meet SSN004

RoHS Compliant

TOLERANCES ARE

MORETHANALL
PCB CONNECTORS
Cable ASSEMBLIES

DRAWING BY CY

CHECKED BY GENIUS

UNIT / mm

SCALE 1 : 1

DATE

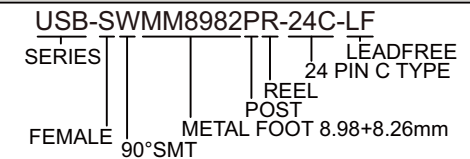
SIZE A4

X, ±
.X ± 0.30
.XX ± 0.25
.XXX ± 0.15
ANG ± 2°

PJECTION

照片框

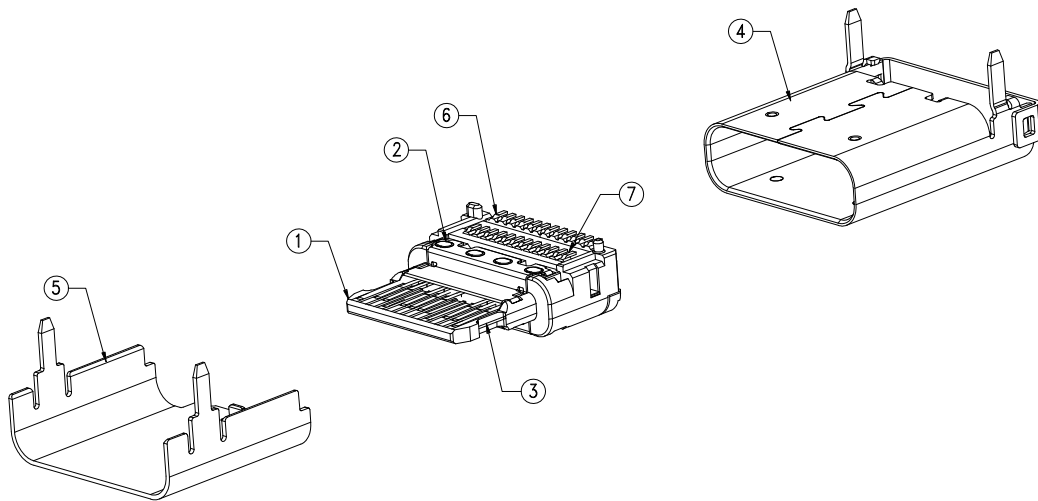
ORDER INFORMATION



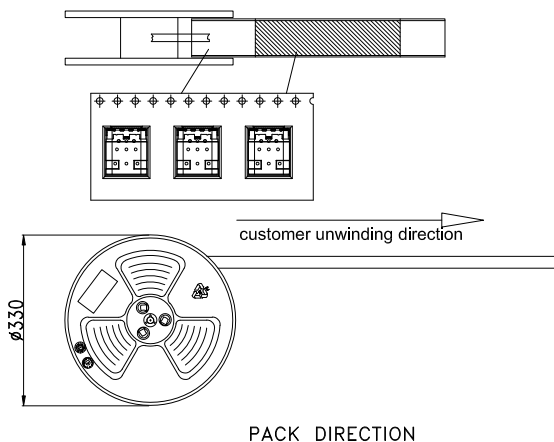
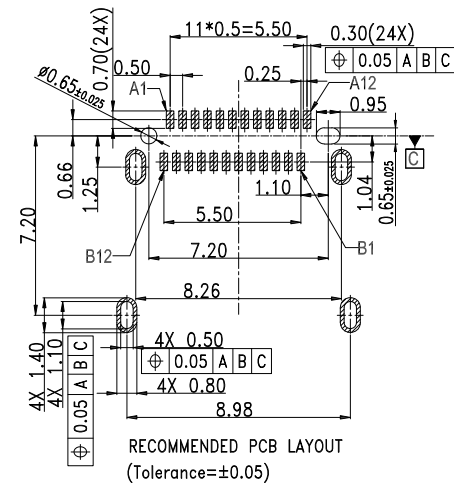
DESCRIPTION: USB-TYPE-C四脚DIP端子双排SMT长

煜倫股份有限公司

www.morethanall.com



EXPLODE VIEW (SCALE N/A)



| ITEM | DESCRIPTION | Q'TY | MATERIAL | FINISH |
|------------------|-----------------|------|-----------------|---|
| 7 | BOTTOM TERMINAL | 12 | Copper alloy | CONTACT:30u" AU MIN; SOLDER TAIL:100u" MATTE TIN MIN; |
| 6 | TOP TERMINAL | 12 | Copper alloy | CONTACT:30u" AU MIN; SOLDER TAIL:100u" MATTE TIN MIN; |
| 5 | OUTER SHELL | 1 | Stainless steel | SOLDER NICKEL: 50U" MIN |
| 4 | MAIN SHELL | 1 | Stainless steel | SOLDER NICKEL: 50U" MIN |
| 3 | GND SHEET | 1 | Stainless steel | SOLDER NICKEL: 50U" MIN |
| 2 | EMC | 2 | Stainless steel | SOLDER NICKEL: 50U" MIN |
| 1 | MAIN HOUSING | 1 | Nylon | BLACK |
| BILL OF MATERIAL | | | | |

RoHS Compliant

TOLERANCES ARE

MORETHANALL
PCB CONNECTORS
Cable ASSEMBLIES

DRAWING BY CY

CHECKED BY GENIUS

UNIT / mm SCALE 1 : 1

DATE

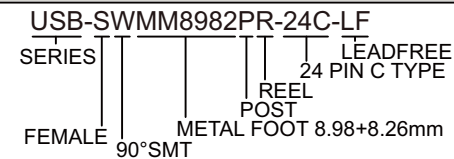
SIZE A4

X, ±
.X ± 0.30
.XX ± 0.25
.XXX ± 0.15
ANG ± 2°

PJECTION

照片框

ORDER INFORMATION



DESCRIPTION: USB-TYPE-C四脚DIP端子双排SMT长

煜倫股份有限公司

www.morethanall.com