

SEE TABLE 1

DIM"A"	0.5±0.20mm
DIM"B"	0.8±0.20mm

MATERIALS

1. HOUSING : HIGH TEMPERATURE RESISTANT PLASTIC,UL94 V-0,BLACK.
2. TERMINAL : COPPER ALLOY .
PLATING: UNDER NICKEL PLATING OVER ALL
GOLD PLATING ON CONTACT AREA
GOLD FLASH PLATED ON SOLDER TAILS.
- 3.MID PLATE: STAINLESS STEEL,CLEAR ONLY.
- 4.FRONT SHELL: STAINLESS STEEL, NICKEL PLATED. ⚠

SPECIFICATION

1. CURRENT RATING:5.0A
VOLTAGE RATING:5.0V
2. DIELECTRIC WITHSTANDING VOLTAGE :
100V AC R.M.S. FOR ONE MINUTE.
3. INSULATION RESISTANCE : 100M OHMS MIN.
4. CONTACT RESISTANCE :
VBUS & GND PINS AND OTHER PINS: 40mΩ/PIN MAX.
SHIELD: 50mΩ/MAX.
LLCR MAX. CHANGE OF ALL PINS: 10mΩ.
5. INSERTION FORCE : 0.5~2.0KG
6. EXTRACTION FORCE : 0.8~2.0KG
7. DURABILITY : 10,000 CYCLE.
8. OPERATING TEMPERATURE : -25°C TO +85°C.
9. IR REFLOW:
THE PEAK TEMPERATURE ON THE BOARD SHALL
BE MAINTAINED FOR 10 SECONDS AT 260°C.

RoHS Compliant

TOLERANCES ARE

MORETHANALL
PCB CONNECTORS
Cable ASSEMBLIES

DRAWING BY CY

CHECKED BY GENIUS

UNIT / mm

SCALE 1 : 1

DATE

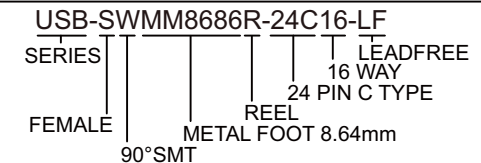
SIZE A4

X, ±
.X ± 0.30
.XX ± 0.20
.XXX ± 0.10
ANG ± 3°

PJECTION

照片框

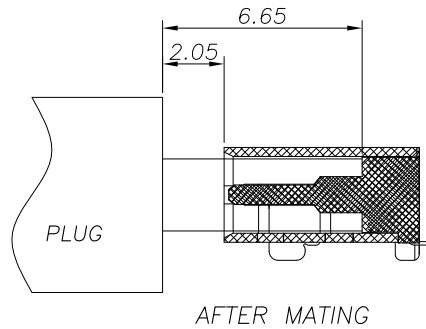
ORDER INFORMATION



DESCRIPTION: USB C F 16PIN (L=6.5)

煜倫股份有限公司

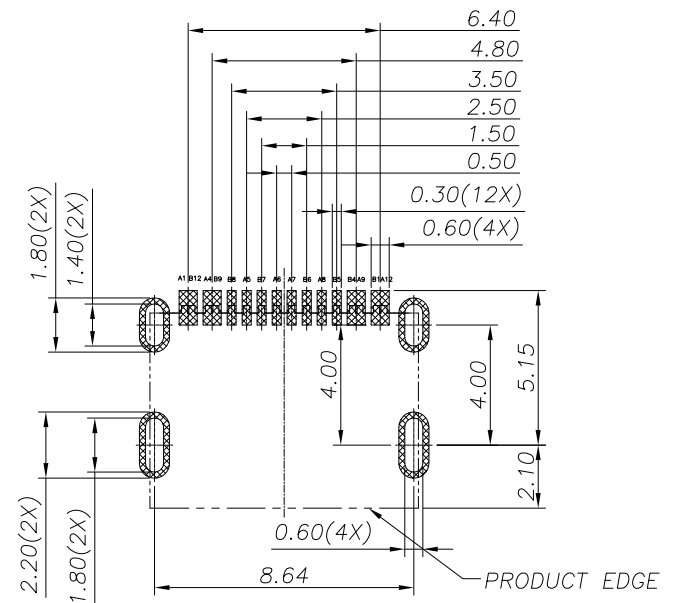
www.morethanall.com



AFTER MATING

USB TYPE-C PIN ASSIGNMENTS

PIN NUMBER	SIGNAL NAME	PIN NUMBER	SIGNAL NAME
A1	GND	B12	GND
A4	VBUS	B9	VBUS
A5	CC1	B8	SBU2
A6	Dp1	B7	Dn2
A7	Dn1	B6	Dp2
A8	SBU1	B5	CC2
A9	VBUS	B4	VBUS
A12	GND	B1	GND



RECOMMENDED PCB LAYOUT(TOP VIEW)
THICKNESS 0.60MM;DEFAULT TOLERANCE:±0.05

RoHS Compliant

TOLERANCES ARE

MORETHANALL
PCB CONNECTORS
Cable ASSEMBLIES

DRAWING BY CY

CHECKED BY GENIUS

UNIT / mm

SCALE 1:1

DATE

SIZE A4

X, ±
.X ± 0.30
.XX ± 0.20
.XXX ± 0.10
ANG ± 3°

PJECTION

照片框

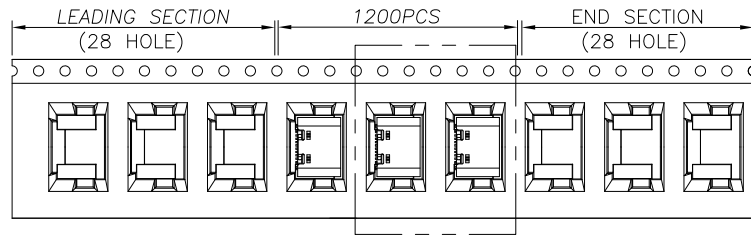
ORDER INFORMATION

USB-SWMM8686R-24C16-LF
SERIES | REEL | LEADFREE
FEMALE | METAL FOOT 8.64mm | 16 WAY
90°SMT | 24 PIN C TYPE

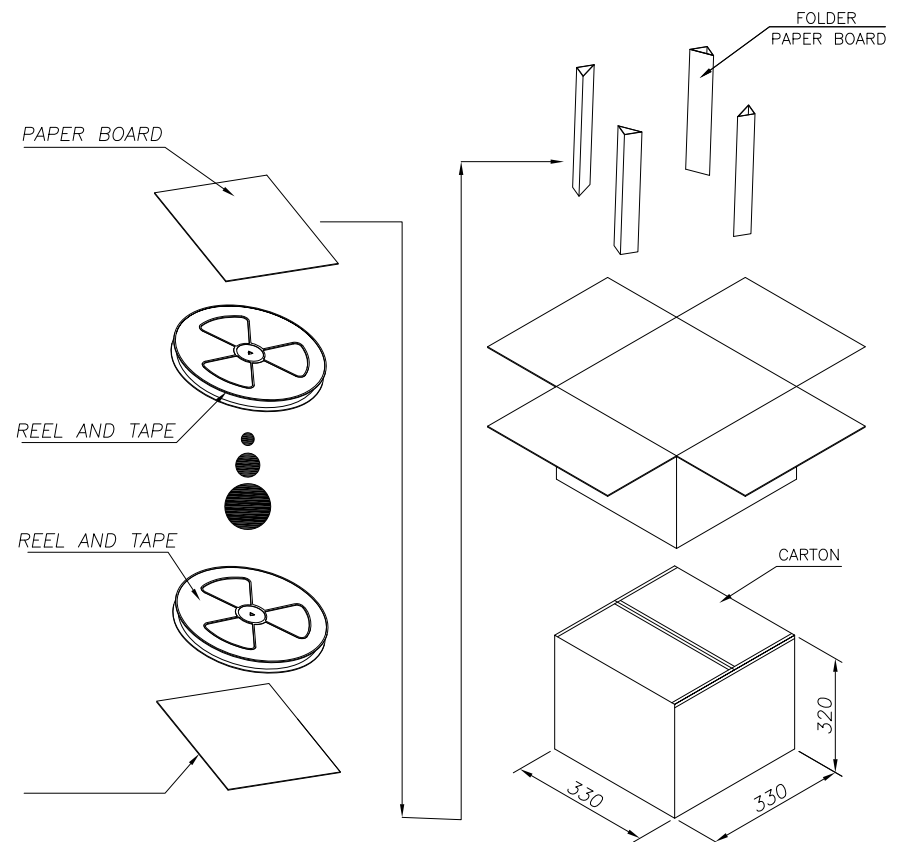
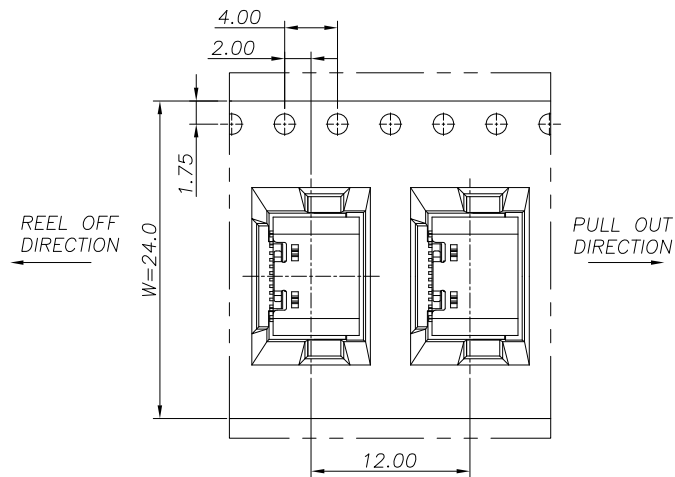
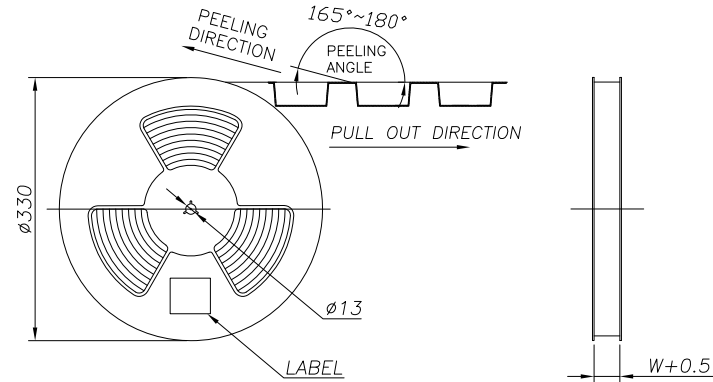
DESCRIPTION: USB C F 16PIN (L=6.5)

煜倫股份有限公司

www.morethanall.com



SEE DETAIL X



- QUANTITY:
1. 1200PCS/REEL.
 2. 10REEL/12000PCS/CARTON.

RoHS Compliant

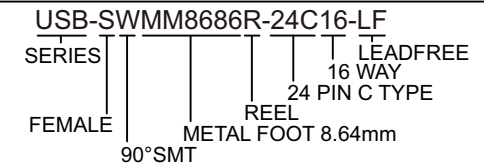
TOLERANCES ARE

MORETHANALL
PCB CONNECTORS
Cable ASSEMBLIES
煜倫股份有限公司
www.morethanall.com

DRAWING BY CY		X. ± .X ± 0.30 .XX ± 0.20 .XXX ± 0.10 ANG ± 3°
CHECKED BY GENIUS		
UNIT / mm	SCALE 1 : 1	
DATE		
SIZE A4	PJECTION	



ORDER INFORMATION



DESCRIPTION: USB C F 16PIN (L=6.5)