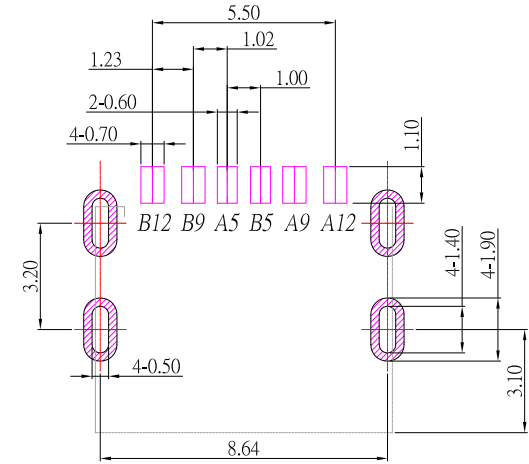


B12	GND
B9	VBUS
B5	CC2
A5	CC1
A9	VBUS
A12	GND
PIN	SIGNAL NAME



#### RECOMMENDED P.C.B. LAYOUT

#### SPECIFICATIONS

##### Electrical:

1. Rating: 20 V, 3.0 A
2. Dielectric Withstand Voltage: 150V AC
3. Contact Resistance: 40 mΩ Max
4. Insulation Resistance: 100 MΩ Min

##### Mechanical:

1. Connector Mate and Unmate Force
  - 1.1 Mate force: 5~20 N
  - 1.2 Unmate force: 8~20 N

##### Material:

1. Housing: LCP
2. Contact: BRASS
3. Shell: SUS

##### Finish:

1. Contact: Plated Gold in Mating Area ;  
Tin Plated on Solder Balls ;  
Nickel under plated overall
2. Shell: Nickel under Plated surface layer

RoHS Compliant

TOLERANCES ARE

**MORETHANALL**  
PCB CONNECTORS  
Cable ASSEMBLIES

煜倫股份有限公司

www.morethanall.com

DRAWING BY CY

CHECKED BY GENIUS

UNIT / mm SCALE 1 : 1

DATE

SIZE A4

P PROJECTION

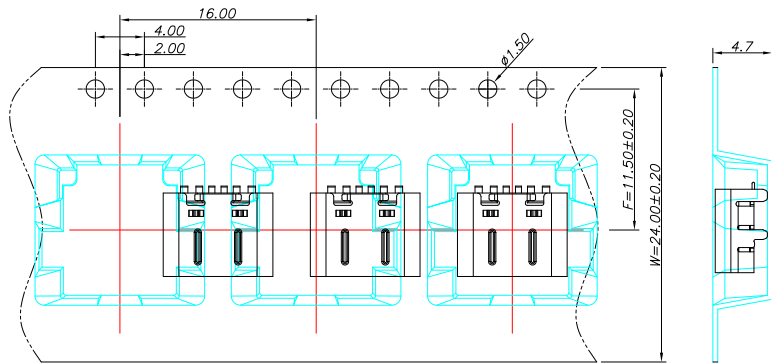
Up to 5 ±0.2  
Above 5 ~ 15 ±0.3  
Above 15 ~ 30 ±0.4  
Above 30 ~ 50 ±0.5  
Angle ±0.3°

照片框

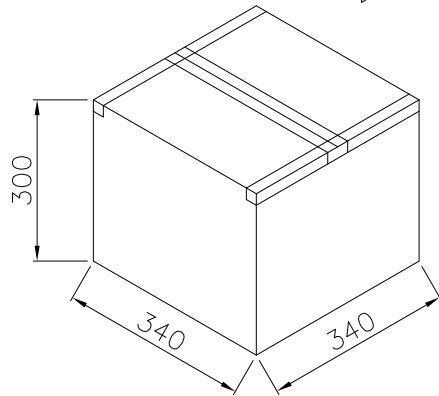
#### ORDER INFORMATION

USB-SWMM8686R-24C06-LF  
SERIES | METAL FOOT 8.64mm | REEL | 06 WAY | LEADFREE  
FEMALE | 24 PIN C TYPE | 90°SMT

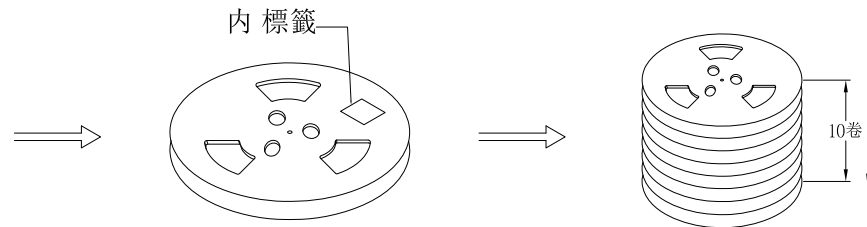
DESCRIPTION: USB C TYPE 2.0 Female SMT 6PIN



① 產品入載帶示意圖

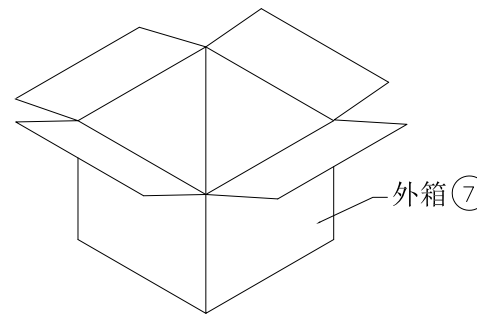


⑤ 外箱封箱示意圖



② 卷盤貼標籤示意圖

③ 10盤產品疊層示意圖



④ 產品入外箱示意圖

圖四

包裝說明:

1. 將檢驗好的成品;SMT朝下放入載帶底部;每卷裝1000PCS產品;具體如圖一所示
2. 將包裝好的產品;每盤必需貼上內標籤;具體如圖二所示
3. 將貼好內標籤的產品每10盤疊;具體如圖三圖四所示
4. 裝好後並封好紙箱及貼好相關標籤;具體如圖六所示;  
(產品包裝的標籤,如客戶有要求,請按客戶要求包裝出貨)
5. 載帶前面留10PCS空格,後面留10PCS空格

RoHS Compliant

TOLERANCES ARE

**MORETHANALL**  
PCB CONNECTORS  
Cable ASSEMBLIES

煜倫股份有限公司

www.morethanall.com

DRAWING BY CY

CHECKED BY GENIUS

UNIT / mm SCALE 1 : 1

DATE

SIZE A4

Up to 5 ±0.2  
Above 5 ~ 15 ±0.3  
Above 15 ~ 30 ±0.4  
Above 30 ~ 50 ±0.5  
Angle ±0.3°

PPOJECTION

照片框

ORDER INFORMATION

USB-SWMM8686R-24C06-LF  
SERIES | METAL FOOT 8.64mm | REEL | 90°SMT | 24 PIN C TYPE | 06 WAY | LEADFREE

DESCRIPTION: PACKING