

RECOMMENDED PCB LAYOUT(THICKNESS:0.80MM)
PWB TOLERANCE: ±0.05

SPECIFICATION:

1.ELECTRICAL CHARACTERISTICS:

- 1.1 CURRENT RATING: 1.5A/Pin MAX(A4,A9,B4,B9)
1.25A/Pin MAX(A1,A12,B1,B12),0.25A(OTHER PIN)
- 1.2 CONTACT RESISTANCE: 40 MILLIONHM MAX.
- 1.3 DIELECTRIC WITHSTANDING VOLTAGE: 100 VAC r.m.s
- 1.4 INSULATION RESISTANCE: 100 MEGOHMS MIN.

2.MECHANICAL CHARACTERISTICS

- 2.1 INSERTION FORCE: 5~20N
- 2.2 EXTRACTION FORCE: Initial:8~20N;Durability:6~20N(1000cycles);
- 2.3 DURABILITY:10,000CYCLES

3.ENVIRONMENTAL CHARACTERISTICS

- 3.1 TEMPERATURE RANGE: -40 °C ~ 85 °C
- 3.2. IR REFLOW:
THE PEAK TEMPERATURE ON THE BOARD SHALL BE MAINTAINED FOR 10 SECONDS AT 260°C.

⑥	EMI SPRING	1 PCS	STAINLESS STEEL	NO SURFACE TREATMENT
⑤	MID PLATE	1 PCS	STAINLESS STEEL	NO SURFACE TREATMENT
④	CONTACT B	1 SET	COPPER ALLOY	Ni 50u" MIN. UNDER PLATED OVER ALL. Au PLATED ON THE FUNCTIONAL AREA OF CONTACT. (GOLD PLATING THICKNESS FOLLOW THE P/N) PLATING SPECIFICATIONS OF THE SOLDER AREA FOLLOW THE P/N
③	CONTACT A	1 SET	COPPER ALLOY	
②	HOUSING	3 PCS	LCP	COLOR: BLACK
①	SHELL	1 PCS	STAINLESS STEEL	Ni 30u" MIN. UNDER PLATED OVER ALL.
NO.	DESCRIPTION	QTY.	MATERIAL	FINISH

RoHS Compliant

TOLERANCES ARE

MORETHANALL
PCB CONNECTORS
Cable ASSEMBLIES

煜倫股份有限公司

www.morethanall.com

DRAWING BY CY

CHECKED BY GENIUS

UNIT / mm

SCALE 1 : 1

DATE

SIZE A4

PJECTION

X. ± 0.50

.X ± 0.30

.XX ± 0.20

.XXX ± 0.10

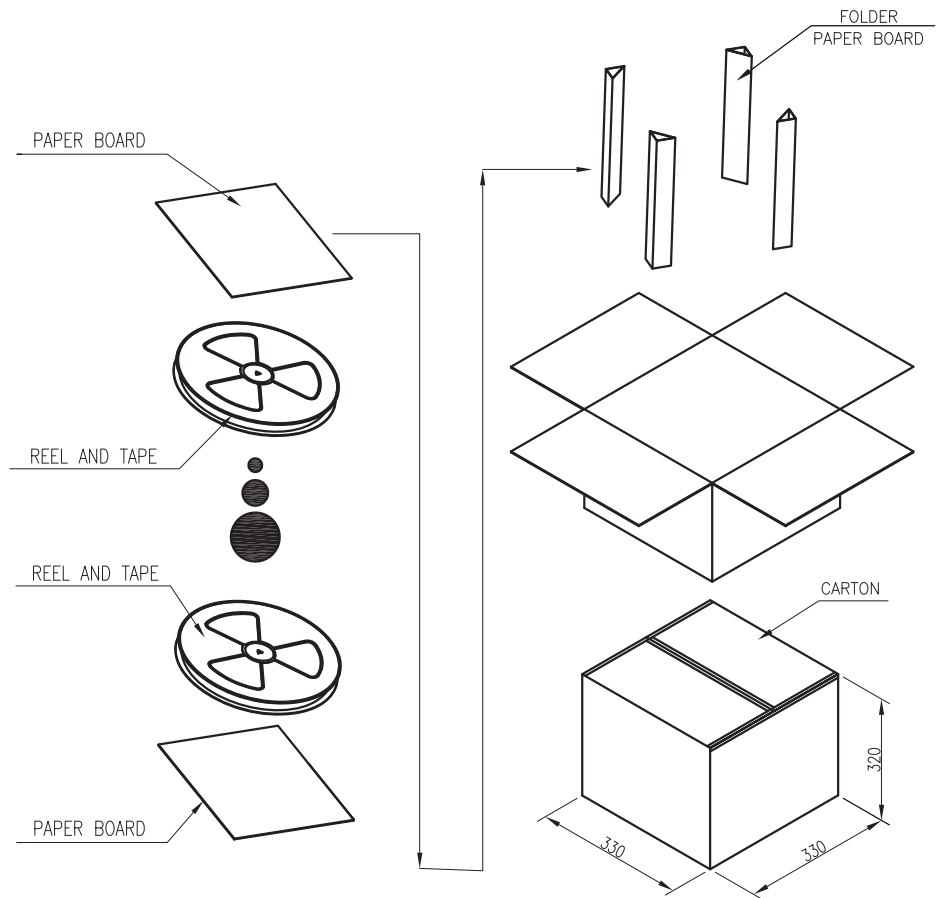
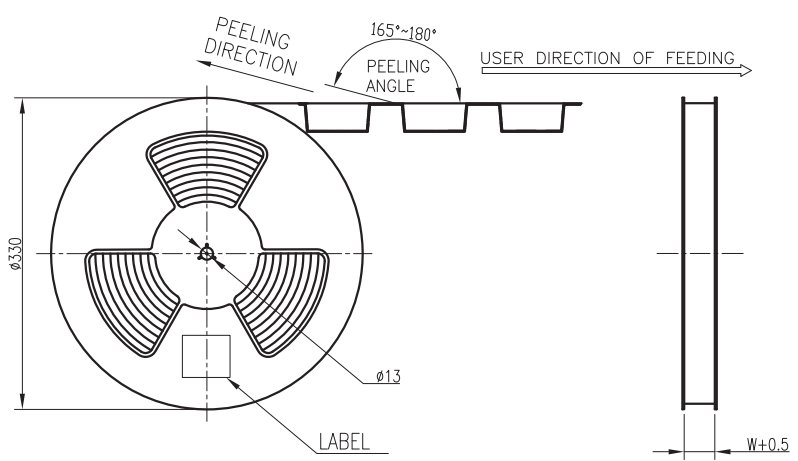
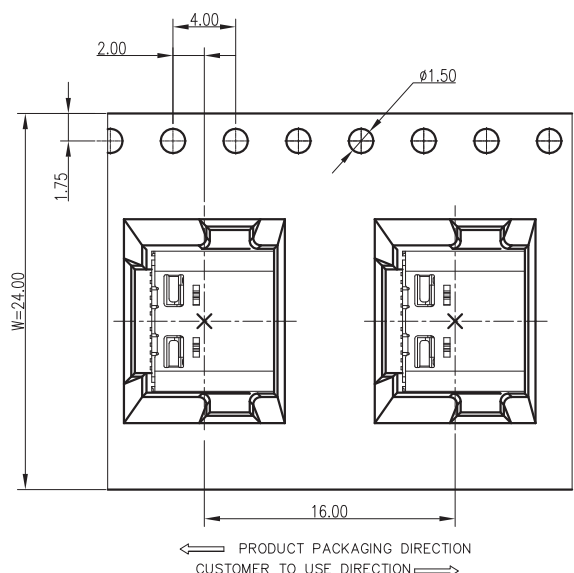
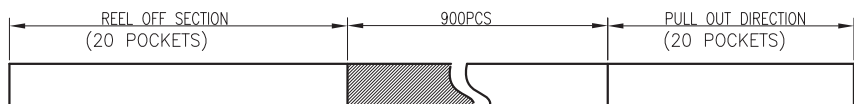
ANG ±

照片框

ORDER INFORMATION

USB-SWMM8686R-24C-LF
SERIES | LEADFREE
24 PIN C TYPE
REEL
METAL FOOT 8.64mm
90°SMT
FEMALE

DESCRIPTION: Type.C 24PIN Dull SMT CONN. RECPTACLE



CONN. PART NO.	CONN. QTY./REEL	REEL QTY./CARTON	CONN. QTY./CARTON
USB-SWMM8686R-24C	900	10	9000 PCS

RoHS Compliant

TOLERANCES ARE

MORETHANALL
PCB CONNECTORS
Cable ASSEMBLIES

DRAWING BY CY

X. ± 0.50

CHECKED BY GENIUS

.X ± 0.30

UNIT / mm

SCALE 1 : 1

.XX ± 0.20

DATE

.XXX ± 0.10

ANG ±

SIZE A4

PPOJECTION

照片框

ORDER INFORMATION

USB-SWMM8686R-24C-LF
SERIES | LEADFREE
24 PIN C TYPE
REEL
METAL FOOT 8.64mm
90°SMT
FEMALE

DESCRIPTION: Type.C 24PIN Dull SMT CONN. RECPTACLE

煜倫股份有限公司

www.morethanall.com