

SEE TABLE 1

DIM"A"	0.5±0.20mm
DIM"B"	0.8±0.20mm

MATERIALS

1. HOUSING : HIGH TEMPERATURE RESISTANT PLASTIC,UL94 V-0,BLACK.
2. TERMINAL : COPPER ALLOY .
PLATING: UNDER NICKEL PLATING OVER ALL
GOLD PLATING ON CONTACT AREA
GOLD FLASH PLATED ON SOLDER TAILS.
- 3.MID PLATE: STAINLESS STEEL,CLEAR ONLY.
- 4.FRONT SHELL: STAINLESS STEEL, NICKEL PLATED. ⚠

SPECIFICATION

1. CURRENT RATING:5.0A
VOLTAGE RATING:5.0V
2. DIELECTRIC WITHSTANDING VOLTAGE :
100V AC R.M.S. FOR ONE MINUTE.
3. INSULATION RESISTANCE : 100M OHMS MIN.
4. CONTACT RESISTANCE :
VBUS & GND PINS AND OTHER PINS: 40mΩ/PIN MAX.
SHIELD: 50mΩ/MAX.
LLCR MAX. CHANGE OF ALL PINS: 10mΩ.
5. INSERTION FORCE : 0.5~2.0KG
6. EXTRACTION FORCE : 0.8~2.0KG
7. DURABILITY : 10,000 CYCLE.
8. OPERATING TEMPERATURE : -25°C TO +85°C.
9. IR REFLOW:
THE PEAK TEMPERATURE ON THE BOARD SHALL
BE MAINTAINED FOR 10 SECONDS AT 260°C.

RoHS Compliant

TOLERANCES ARE

MORETHANALL
PCB CONNECTORS
Cable ASSEMBLIES

煜倫股份有限公司

www.morethanall.com

DRAWING BY CY

CHECKED BY GENIUS

UNIT / mm

SCALE 1 : 1

DATE

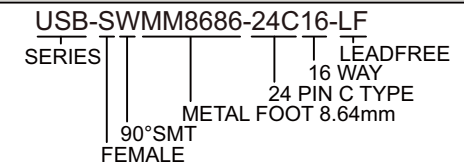
SIZE A4

PJECTION

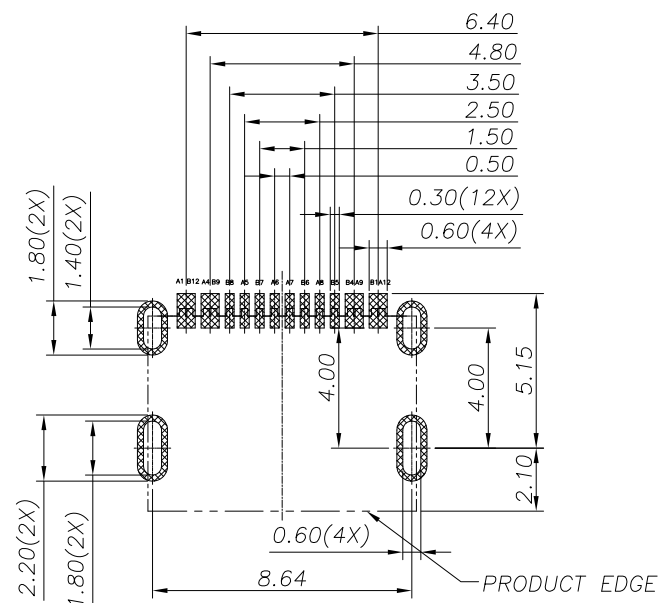
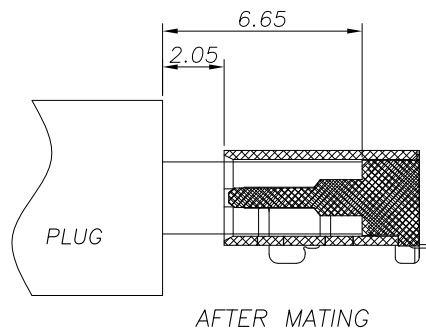
X, ±
.X ± 0.30
.XX ± 0.20
.XXX ± 0.10
ANG ± 3°

照片框

ORDER INFORMATION



DESCRIPTION: USB C F 16PIN (L=6.5)



RECOMMENDED PCB LAYOUT(TOP VIEW)
THICKNESS 0.60MM;DEFAULT TOLERANCE:±0.05

USB TYPE-C PIN ASSIGNMENTS

PIN NUMBER	SIGNAL NAME	PIN NUMBER	SIGNAL NAME
A1	GND	B12	GND
A4	VBUS	B9	VBUS
A5	CC1	B8	SBU2
A6	Dp1	B7	Dn2
A7	Dn1	B6	Dp2
A8	SBU1	B5	CC2
A9	VBUS	B4	VBUS
A12	GND	B1	GND

RoHS Compliant

TOLERANCES ARE

MORETHANALL
PCB CONNECTORS
Cable ASSEMBLIES

煜倫股份有限公司

www.morethanall.com

DRAWING BY CY

CHECKED BY GENIUS

UNIT / mm

SCALE 1:1

DATE

SIZE A4

X, ±
.X ± 0.30
.XX ± 0.20
.XXX ± 0.10
ANG ± 3°

PJECTION

照片框

ORDER INFORMATION

USB-SWMM8686-24C16-LF
SERIES | LEADFREE
16 WAY
24 PIN C TYPE
METAL FOOT 8.64mm
90°SMT
FEMALE

DESCRIPTION: USB C F 16PIN (L=6.5)