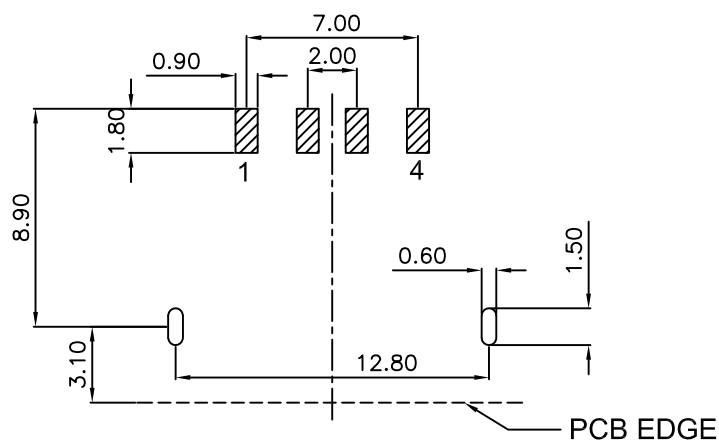
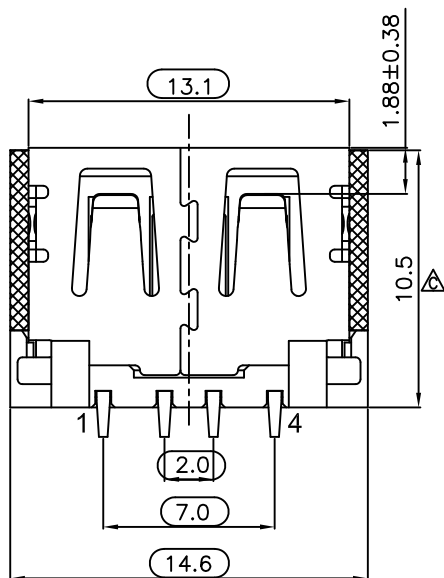


NO.	NAME	MATERIAL	FINISH
1	Housing	LCP	UL94V-0
2	Terminal	Copper Alloy	Gold & Tin Plated
3	Shell	Alloy	Ni Plated
4	Mylar	Polyimide	



RECOMMENDED PCB LAYOUT

TOP VIEW

TOLERANCE: ±0.05mm

PCB THICKNESS: 1.20±0.05mm

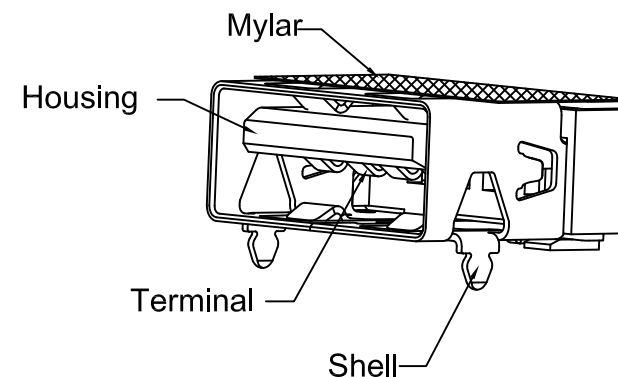
Rating:

Current: 1.5A

Voltage: 30V rms max

NOTES:

Resistance soldering heat, 260+/-5 °C, 10sec. during SMT process



RoHS Compliant

TOLERANCES ARE

**MORETHANALL**  
PCB CONNECTORS  
Cable ASSEMBLIES

DRAWING BY CY

CHECKED BY GENIUS

UNIT / mm

SCALE 1 : 1

DATE

SIZE A4

X, ±  
.X ± 0.25  
.XX ± 0.15  
.XXX ± 0.075  
ANG ±

PPOJECTION

照片框


ORDER INFORMATION


USB-SWM1FXBKCR-4A-LF  
SERIES | | | | | LEADFREE  
FEMALE | | | | | REEL  
90°SMT | | | | | CAP  
METAL | | | | | BLACK  
NON FLANGE

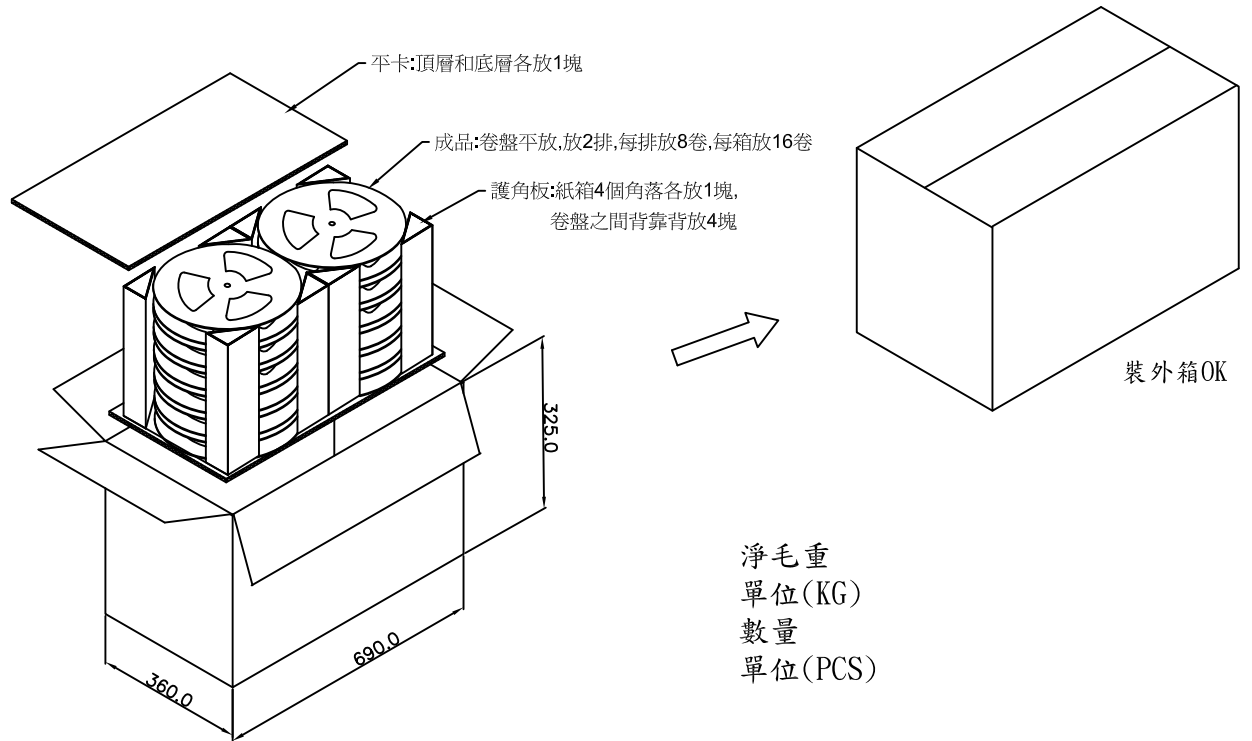
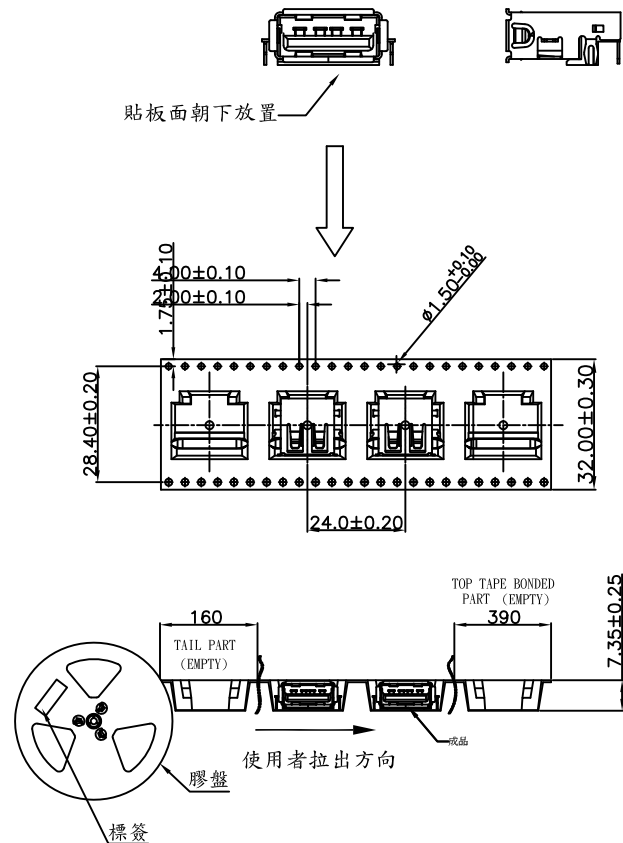
DESCRIPTION: USB , A Type , Receptacle , Horizontal , Single , SMT

煜倫股份有限公司

www.morethanall.com

1.  
 包材: 卷料式包裝帶 1 SET  
 流程單編號標籤 1 PC  
 無鉛製程標籤  1 PC  
 數量: 1\*350=350 PCS  
 PACKING MATERIAL: PS TAPE REEL 1 SET  
 Q' TY: 1\*350=350 PCS

2.  
 包材: 外箱 1 PC  
 無鉛製程標籤  1PC  
 平卡/紙板 10PC  
 數量: 350\*16=5600 PCS  
 PACKING MATERIAL: CARTON 1 PC  
 Q' TY: 350\*16=5600 PCS



淨毛重  
單位(KG)  
數量  
單位(PCS)

RoHS Compliant

TOLERANCES ARE

**MORETHANALL**  
 PCB CONNECTORS  
 Cable ASSEMBLIES  
**煜倫股份有限公司**

DRAWING BY CY

CHECKED BY GENIUS

UNIT / mm

SCALE 1 : 1

DATE

SIZE A4

PPOJECTION 

X, ±  
 .X ± 0.25  
 .XX ± 0.15  
 .XXX ± 0.075  
 ANG ±

照片框

ORDER INFORMATION

USB-SWM1FXBKCR-4A-LF  
 SERIES | | | | | LEADFREE  
 | | | | | 4 PIN A TYPE  
 FEMALE REEL  
 90°SMT CAP  
 METAL NON FLANGE

DESCRIPTION: USB , A Type , Receptacle , Horizontal , Single , SMT

www.morethanall.com