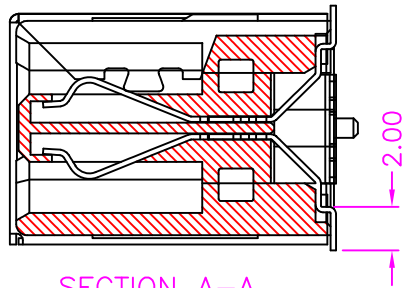


P.C.B LAYOUT
TOP VIEW ±0.05



SECTION A-A

MATERIALS

HOUSING: HI-TEMP. PLASTIC (UL 94V-0)
 SHELL: COPPER ALLOY, NICKEL PLATING 30~50u"
 TERMINAL: COPPER ALLOY, GOLD PLATED ON CONTACT AREA
 OVER NICKEL 30~50u",
 TIN PLATING 100u" MIN. ON SOLDER TAIL

SPECIFICATION

CURRENT RATING: 1.5 AMP MAX
 DIELECTRIC WITHSTANDING: 500V AC FOR ONE MINUTE
 CONTACT RESISTANCE: 30m OHMS MAX
 INSULATION RESISTANCE: 1000M OHMS MIN AT DC 500V
 OPERATION TEMPERATURE: -40°C~+85°C

RoHS Compliant

TOLERANCES ARE

MORETHANALL
 PCB CONNECTORS
 Cable ASSEMBLIES

煜倫股份有限公司

www.morethanall.com

DRAWING BY CY

CHECKED BY GENIUS

UNIT / mm

SCALE 1:1

DATE

SIZE A4

X. ± 0.40

.X ± 0.30

.XX ± 0.20

.XXX ± 0.10

ANG ±

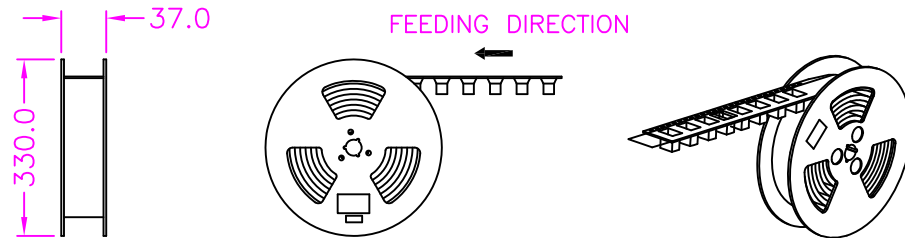
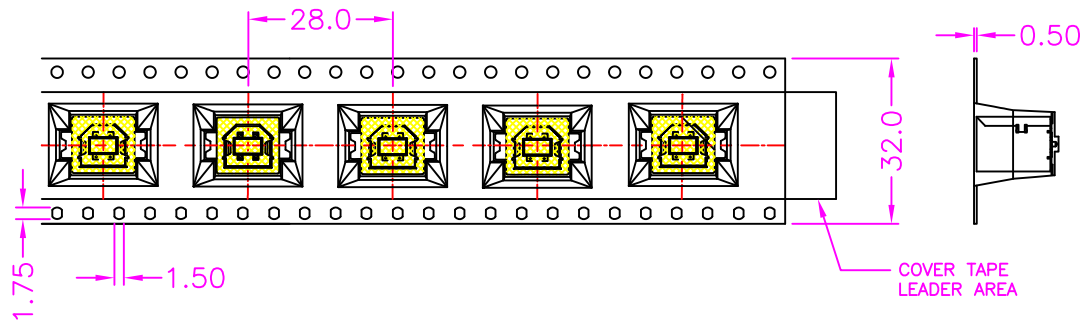
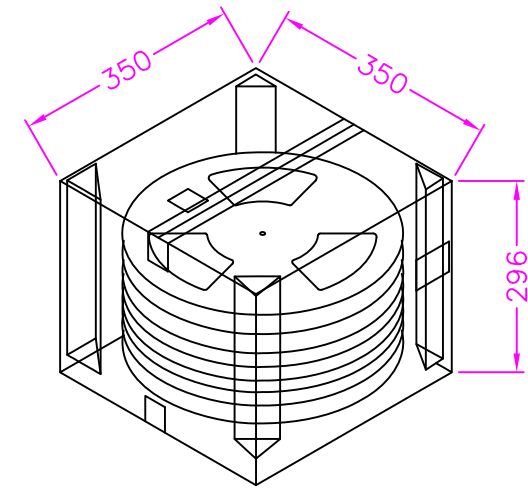
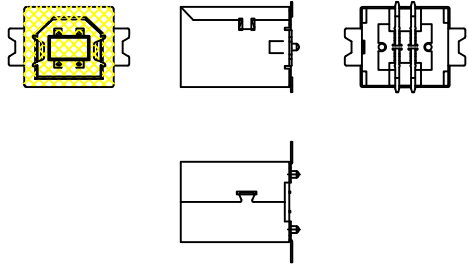
PJECTION

照片框

ORDER INFORMATION

USB-SVWHCR-4B-LF
 SERIES | | | | LEADFREE
 | | | | 4 PIN B TYPE
 | | | | REEL
 | | | | MYLAY
 FEMALE | WHITE
 180°SMT

DESCRIPTION: USB B TYPE, PCB MOUNT, VERTICAL SMT, METAL SHIELD, FEMALE



NOTE: 100PCS/ REEL, 700PCS/ 7 REEL/ CARTON

RoHS Compliant

TOLERANCES ARE

MORETHANALL
PCB CONNECTORS
Cable ASSEMBLIES

DRAWING BY CY

X. ± 0.40

CHECKED BY GENIUS

.X ± 0.30

UNIT / mm SCALE 1 : 1

.XX ± 0.20

DATE

.XXX ± 0.10

SIZE A4

ANG ±

P PROJECTION

照片框

ORDER INFORMATION

USB-SVWHCR-4B-LF
SERIES | | | | LEADFREE
4 PIN B TYPE
REEL
MYLAY
FEMALE | WHITE
180°SMT

DESCRIPTION: USB B TYPE, PCB MOUNT, VERTICAL SMT, METAL SHIELD, FEMALE

煜倫股份有限公司

www.morethanall.com