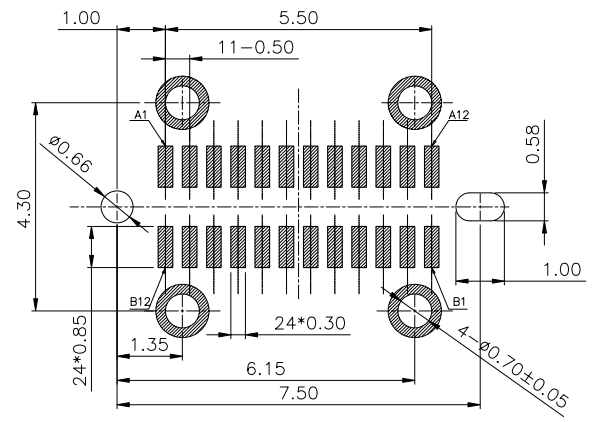
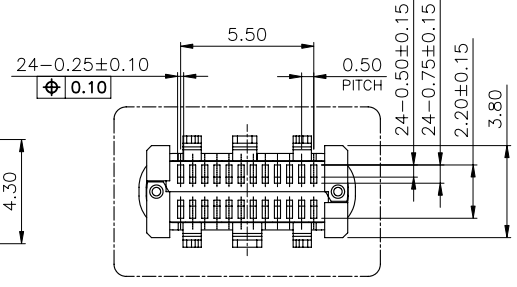
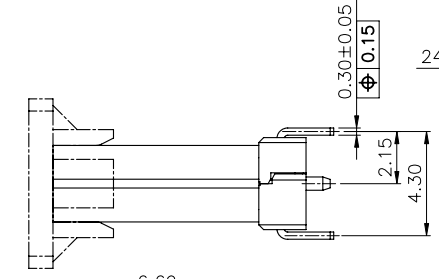
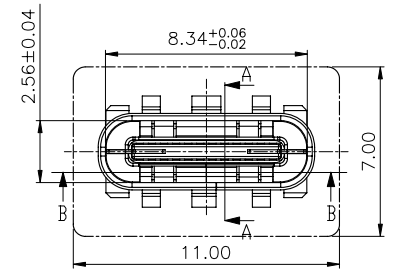
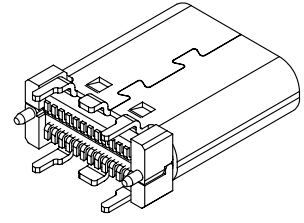
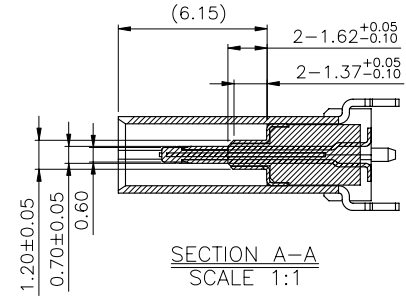
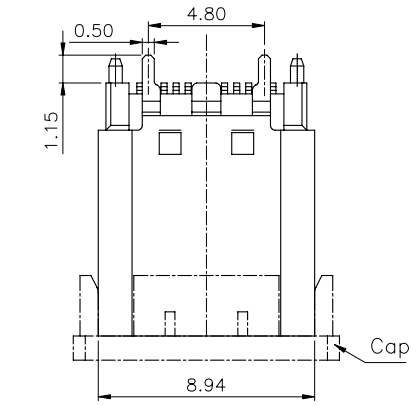
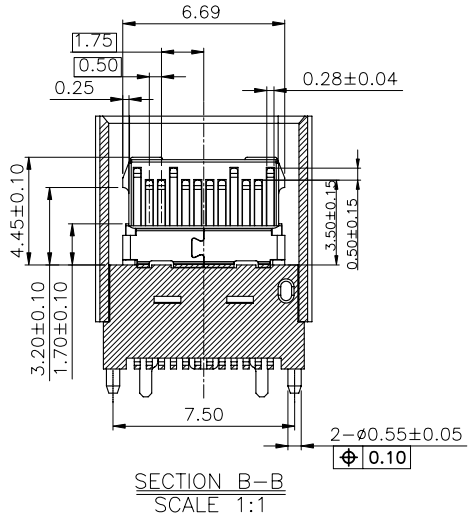


ITEM 項目	PARTS NAME 零件名稱	Q'TY 數量	MATERIAL 材質	FINISH/REMARK 處理/備註
1	Insemold housing	1	SYNTHETIC RESIN	Black
2	CONTACT	1	COPPER ALLOY	GOLD PLATED 30u" Min ON CONTACT AREA, 100u" Min TIN (LEAD FREE) ON SOLDER AREA
3	SHELL	1	STAINLESS	Ni:50u" Min
4	Shield	1	STAINLESS	-



RECOMMENDED P.C.B. LAYOUT (T:1.00mm)  
TOLERANCE UNSPECIFIED ±0.05mm



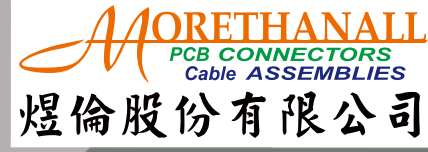
USB TYPE-C FULL-FEATURED RECEPTACLE  
INTERFACE PIN ASSIGNMENTS

PIN	Signal Name	Description	PIN	Signal Name	Description
A1	GND	Ground return	B12	GND	Ground return
A2	SSTxp1	Positive half of first SuperSpeed TX differential pair	B11	SSRxp1	Positive half of first SuperSpeed RX differential pair
A3	SSTxn1	Negative half of first SuperSpeed TX differential pair	B10	SSRxn1	Negative half of first SuperSpeed RX differential pair
A4	Vbus	Bus Power	B9	Vbus	Bus Power
A5	CC1	Configuration Channel	B8	SBU2	Sideband Use (SBU)
A6	Dp1	Positive half of the USB 2.0 differential pair-Position 1	B7	Dn2	Negative half of the USB 2.0 differential pair-Position 2
A7	Dn1	Negative half of the USB 2.0 differential pair-Position 1	B6	Dp2	Positive half of the USB 2.0 differential pair-Position 2
A8	SBU1	Sideband Use (SBU)	B5	CC2	Configuration Channel
A9	Vbus	Bus Power	B4	Vbus	Bus Power
A10	SSRxp2	Negative half of second SuperSpeed RX differential pair	B3	SSTxn2	Negative half of second SuperSpeed TX differential pair
A11	SSRxp2	Positive half of second SuperSpeed RX differential pair	B2	SSTxp2	Positive half of second SuperSpeed TX differential pair
A12	GND	Ground return	B1	GND	Ground return

- SPECIFICATION**
- MATERIAL:** See drawing
  - STANDARD DATA**
    - Rating current: 5.0A for VBUS (i.e., pins A4, A9, B4, B9); 1.25A for Vconn and GND (i.e., pins B5, A1, A12, B1, B12); 0.25A for all the other contacts.
  - ELECTRICAL**
    - Insulator resistance: 100M ohms Min.
    - Withstanding voltage: 100 VAC / minute
    - Contact resistance: initial 40mohms Max. after 50mohms Max.
  - MECHANICAL**
    - Mating force: 5~20N
    - Unmating force : Initial 8~20N After 1000cycles 6~20N
    - Durability: 10000 cycles Min.

**RoHS Compliant**

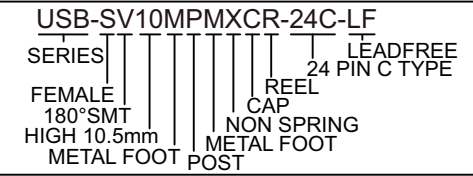
TOLERANCES ARE



DRAWING BY	CY	X. ± 0.50
CHECKED BY	GENIUS	.X ± 0.30
UNIT / mm	SCALE 1:1	.XX ± 0.20
DATE		.XXX ±
SIZE A4	PJECTION	ANG ± 5°



**ORDER INFORMATION**

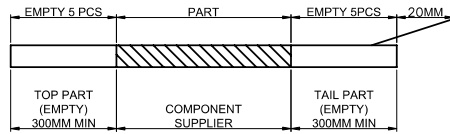


DESCRIPTION: USB C TYPE CONNECTOR

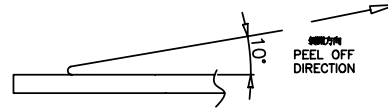
www.morethanall.com

NOTES

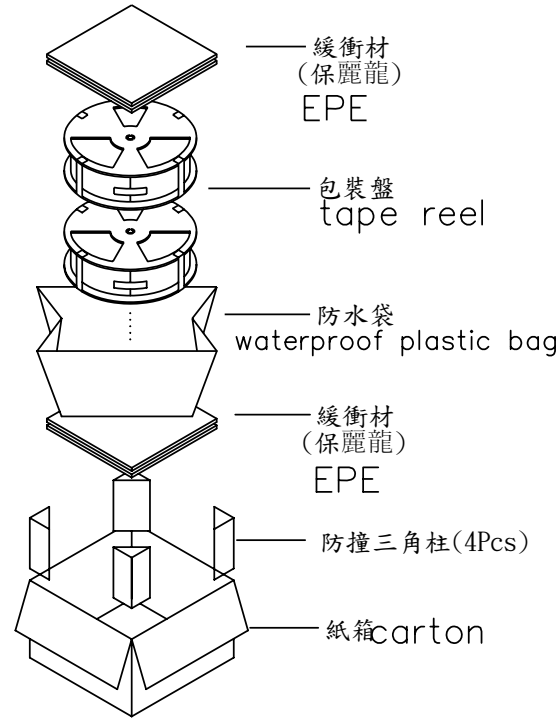
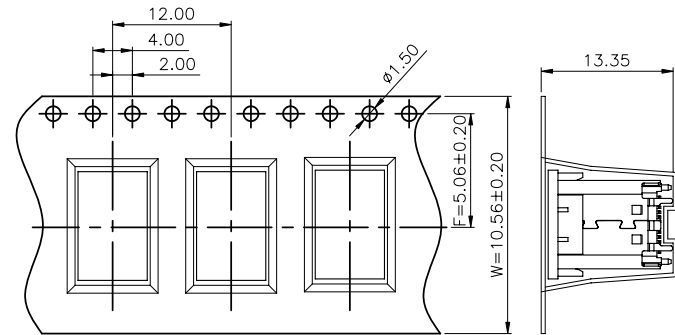
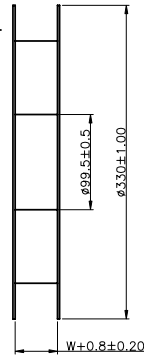
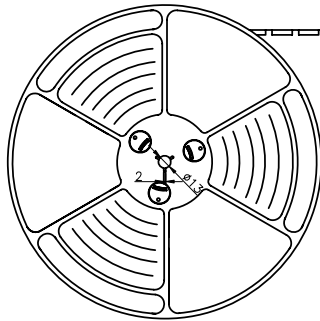
1. 帶子引導長度  
LEAD TAPE LENGTH  
出料方向  
PULL OUT DIRECTED



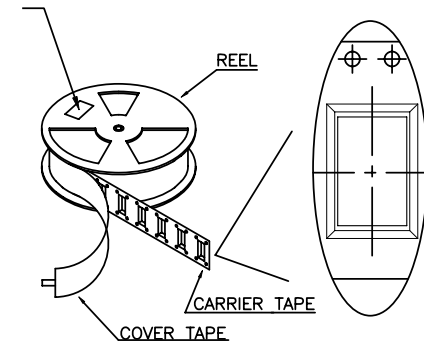
2. 上帶剝力力為：0.1~1.3N(10.2gf~130gf)  
PEELING OFF FORCE OF TOP TAPE: 0.1~1.3N(10.2gf~130gf)  
出貨運輸過程中一定注意：  
THIS REQUIREMENT SHOULD BE APPLIED AT SHIPMENT：  
卷帶在運輸過程中不能散開  
PEELING OFF SHOULD NOT BE ALLOWED DURING TRANSPORTATION



出料方向  
PULL OUT DIRECTED



at small positioning hole of the carrier tape side.  
標籤黏貼處 (朝捲裝包材的小定位孔一側)  
Location of label sticking (Label)



NOTE:

1. 每捲包裝數量及每箱裝箱數量如下表格。  
Packing q'ty of each reel & carton as below table shown.
2. 以上膠帶覆蓋下包裝帶經包裝機熱熔包裝  
Use cover tape to cover and hot melt machine to seal up.
3. 每個紙箱放2個珍珠棉  
Every carton use 2pcs EPE.
4. 將裝滿產品的卷盤放入紙箱并以膠帶封口  
Put reels in the carton and use adhesive tape to seal up.

產品料號 (PRODUCT No.)	包裝容量 (PACKING CAPACITY)		
	PCS/REEL	REELS/CARTON	PCS/CARTON
USB-SVMPMXR-24C	450	7	3150

RoHS Compliant

TOLERANCES ARE

**MORETHANALL**  
PCB CONNECTORS  
Cable ASSEMBLIES

DRAWING BY CY

CHECKED BY GENIUS

UNIT / mm

SCALE 1 : 1

DATE

SIZE A4

X, ± 0.50  
X, ± 0.30  
.XX ± 0.20  
.XXX ±  
ANG ± 5°

P PROJECTION

照片框

ORDER INFORMATION

USB-SV10MPMXCR-24C-LF  
SERIES | | | | | | | | | | LEADFREE  
FEMALE | | | | | | | | | | 24 PIN C TYPE  
180°SMT | | | | | | | | | | REEL  
HIGH 10.5mm | | | | | | | | | | CAP  
METAL FOOT | | | | | | | | | | NON SPRING  
METAL FOOT | | | | | | | | | | METAL FOOT  
POST

DESCRIPTION: USB C TYPE CONNECTOR

煜倫股份有限公司

www.morethanall.com