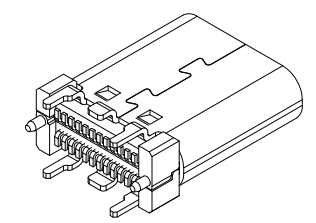
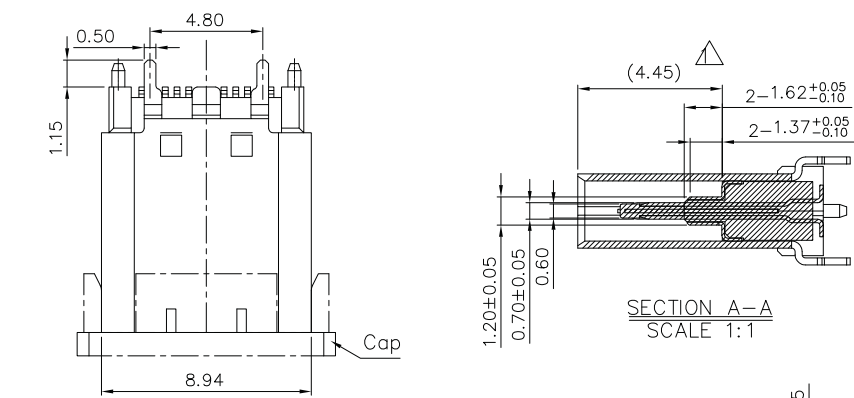
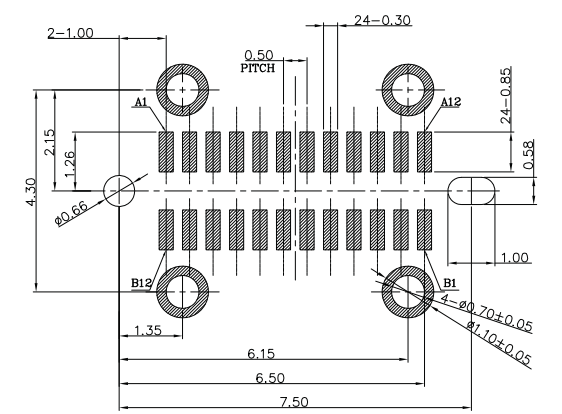
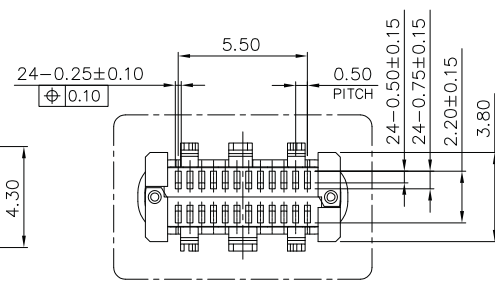
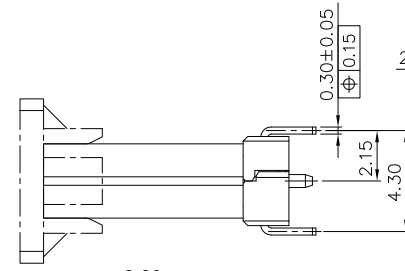
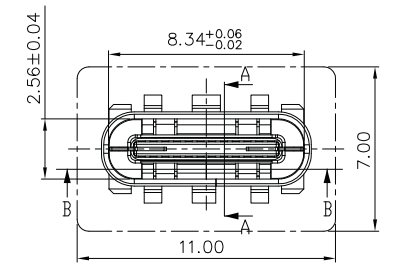


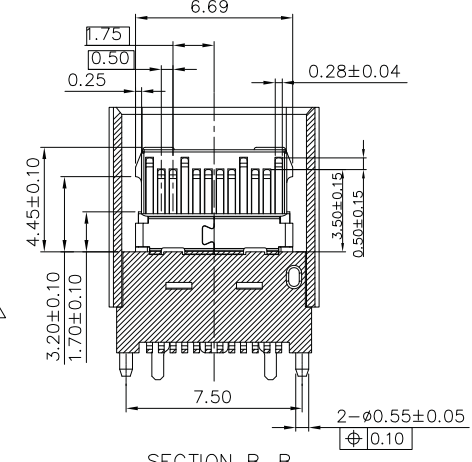
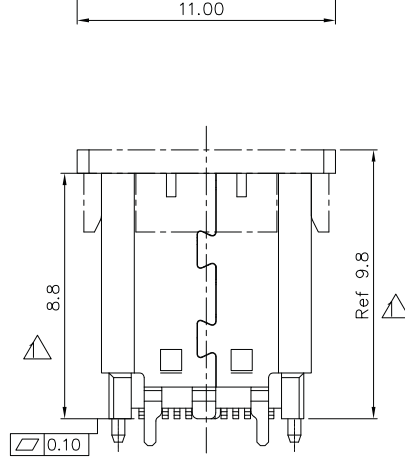
ITEM 項目	PARTS NAME 零件名稱	Q'TY 數量	MATERIAL 材質	FINISH/REMARK 處理/備註
1	Insemold housing	1	SYNTHETIC RESIN	Black
2	CONTACT	1	COPPER ALLOY	GOLD FLASH ON CONTACT AREA, 100u" Min TIN (LEAD FREE) ON SOLDER AREA
3	SHELL	1	STAINLESS	Ni: 50u" Min
4	Shield	1	STAINLESS	-



SECTION A-A
SCALE 1:1



RECOMMENDED P.C.B. LAYOUT (T:1.00mm)
TOLERANCE UNSPECIFIED ±0.05mm



SECTION B-B
SCALE 1:1

USB TYPE-C FULL-FEATURED RECEPTACLE
INTERFACE PIN ASSIGNMENTS

PIN	Signal Name	Description	PIN	Signal Name	Description
A1	GND	Ground return	B12	GND	Ground return
A2	SSTxp1	Positive half of first SuperSpeed TX differential pair	B11	SSRXp1	Negative half of first SuperSpeed RX differential pair
A3	SSTxn1	Negative half of first SuperSpeed TX differential pair	B10	SSRXn1	Positive half of first SuperSpeed RX differential pair
A4	Vbus	Bus Power	B9	Vbus	Bus Power
A5	CC1	Configuration Channel	B8	SBU2	Sideband Use (SBU)
A6	Dp1	Positive half of the USB 2.0 differential pair-Position 1	B7	Dn2	Negative half of the USB 2.0 differential pair-Position 2
A7	Dn1	Negative half of the USB 2.0 differential pair-Position 1	B6	Dp2	Positive half of the USB 2.0 differential pair-Position 2
A8	SBU1	Sideband Use (SBU)	B5	CC2	Configuration Channel
A9	Vbus	Bus Power	B4	Vbus	Bus Power
A10	SSRXn2	Negative half of second SuperSpeed RX differential pair	B3	SSTXn2	Positive half of second SuperSpeed TX differential pair
A11	SSRXp2	Positive half of second SuperSpeed RX differential pair	B2	SSTXp2	Negative half of second SuperSpeed TX differential pair
A12	GND	Ground return	B1	GND	Ground return

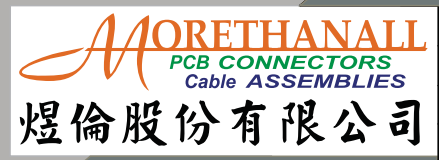
SCALE: 2:1

SPECIFICATION

- MATERIAL: See drawing
- STANDARD DATA
 - 2.1 Rating current: 5.0A for VBUS (i.e., pins A4, A9, B4, B9); 1.25A for Vconn and GND (i.e., pins B5, A1, A12, B1, B12); 0.25A for all the other contacts.
- ELECTRICAL
 - 3.1 Insulator resistance: 100M ohms Min.
 - 3.2 Withstanding voltage: 100 VAC / minute
 - 3.3 Contact resistance: initial 40mohms Max. after 50mohms Max.
- MECHANICAL
 - 4.1 Mating force: 5~20N
 - 4.2 Unmating force: Initial 8~20N After 10000cycles 6~20N
 - 4.3 Durability: 10000 cycles Min.
- ENVIRONMENTAL
 - TEMPERATURE RANGE -40°C ~ +85°C

RoHS Compliant

TOLERANCES ARE



DRAWING BY	CY	X. ± 0.50
CHECKED BY	GENIUS	.X ± 0.30
UNIT / mm	SCALE 1:1	.XXX ±
DATE		ANG ± 5°

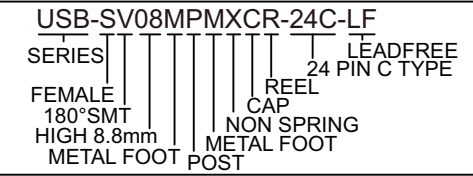
煜倫股份有限公司

www.morethanall.com

SIZE A4 PROJECTION

照片框

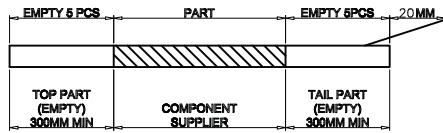
ORDER INFORMATION



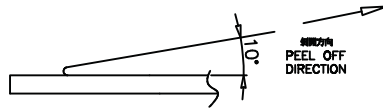
DESCRIPTION: USB C TYPE CONNECTOR

NOTES

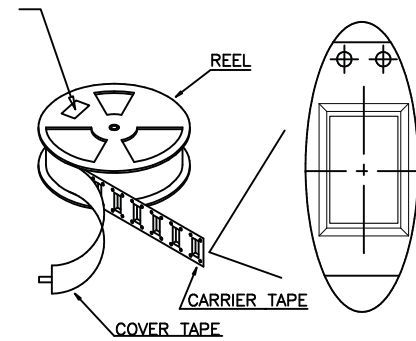
1. 帶子引導長度
LEAD TAPE LENGTH
出料方向
PULL OUT DIRECTEON



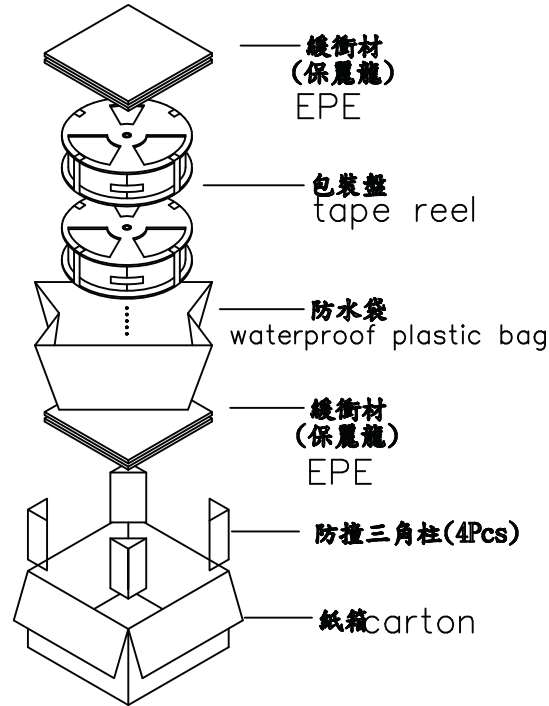
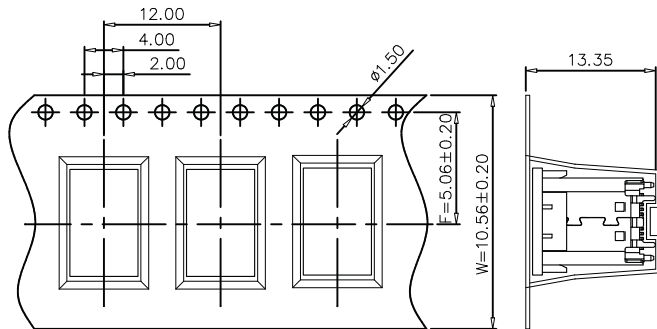
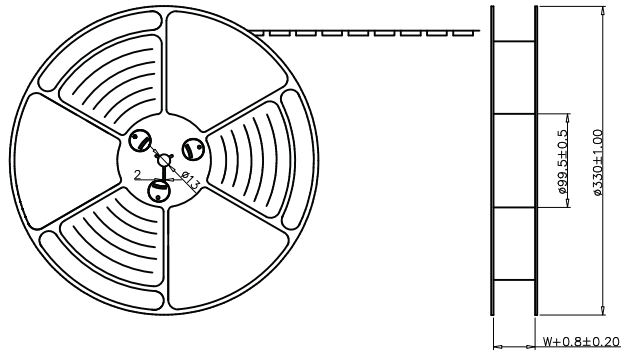
2. 上帶剝力力為: 0.1~1.3N(10.2gf~130gf)
PEELING OFF FORCE OF TOP TAPE: 0.1~1.3N(10.2gf~130gf)
出貨運輸過程中一定注意:
THIS REQUIREMENT SHOULD BE APPLIED AT SHIPMENT:
卷帶在運輸過程中不能散開
PEELING OFF SHOULD NOT BE ALLOWED DURING TRANSPORTATION



at small positioning hole of the carrier tape side).
標簽黏貼處 (朝捲裝包材的小定位孔一側)
Location of label sticking (label



出料方向
PULL OUT DIRECTEON



NOTE:

1. 每捲包裝數量及每箱裝箱數量如下表格。
Packing q'ty of each reel & carton as below table shown.
2. 以上膠帶覆蓋下包裝帶經包裝機熱熔包裝
Use cover tape to cover and hot melt machine to seal up.
3. 每個紙箱放2個珍珠棉
Every carton use 2pcs EPE.
4. 將裝滿產品的卷盤放入紙箱並以膠帶封口
Put reels in the carton and use adhesive tape to seal up.

產品料號 (PRODUCT No.)	包裝容量 (PACKING CAPACITY)		
	PCREEL	REEL/CARTON	PC/CARTON
USB-SV08MPMXCR-24C	450	7	3150

RoHS Compliant

TOLERANCES ARE

MORETHANALL
PCB CONNECTORS
Cable ASSEMBLIES
煜倫股份有限公司

DRAWING BY CY
CHECKED BY GENIUS
UNIT / mm SCALE 1 : 1
DATE
SIZE A4 PPROJECTION

X. ± 0.50
.X ± 0.30
.XX ± 0.20
.XXX ±
ANG ± 5°

照片框

ORDER INFORMATION

USB-SV08MPMXCR-24C-LF
SERIES | | | | | | | | | | LEADFREE
180°SMT | | | | | | | | | | 24 PIN C TYPE
FEMALE | | | | | | | | | | REEL
HIGH 8.8mm | | | | | | | | | | CAP
METAL FOOT POST | | | | | | | | | | NON SPRING
METAL FOOT POST

DESCRIPTION: USB C TYPE CONNECTOR

www.morethanall.com