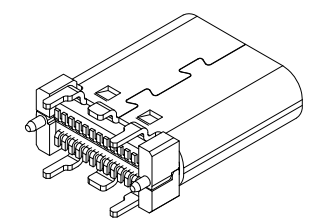
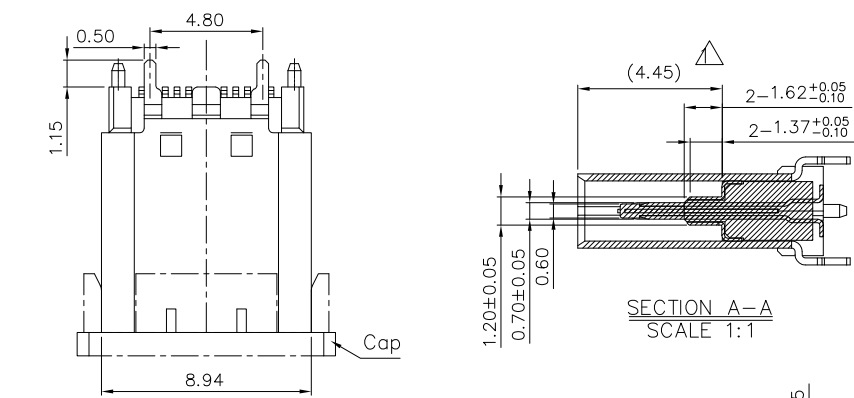
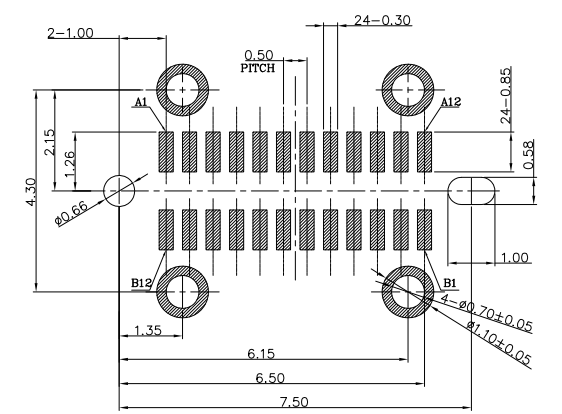
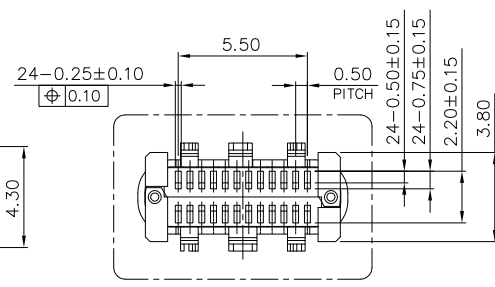
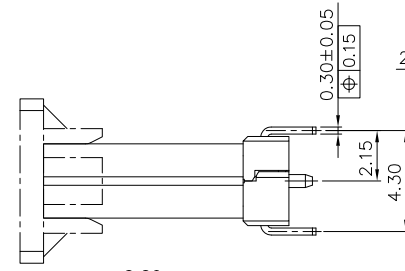
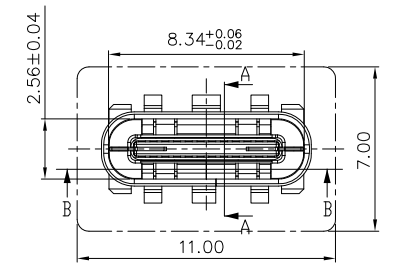


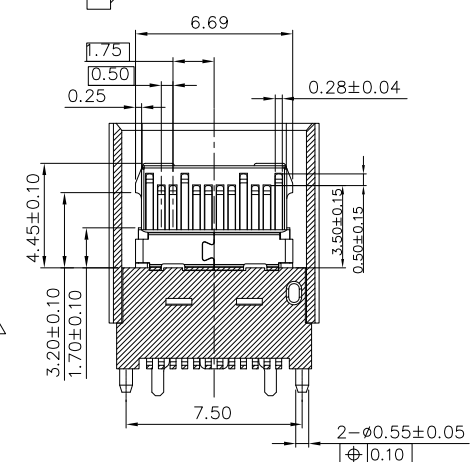
ITEM 項目	PARTS NAME 零件名稱	Q'TY 數量	MATERIAL 材質	FINISH/REMARK 處理/備註
1	Inermold housing	1	SYNTHETIC RESIN	Black
2	CONTACT	1	COPPER ALLOY	GOLD FLASH ON CONTACT AREA, 100u" Min TIN (LEAD FREE) ON SOLDER AREA
3	SHELL	1	STAINLESS	Ni: 50u" Min
4	Shield	1	STAINLESS	-



SECTION A-A
SCALE 1:1



RECOMMENDED P.C.B. LAYOUT (T:1.00mm)
TOLERANCE UNSPECIFIED ±0.05mm



SECTION B-B
SCALE 1:1

USB TYPE-C FULL-FEATURED RECEPTACLE
INTERFACE PIN ASSIGNMENTS

PIN	Signal Name	Description	PIN	Signal Name	Description
A1	GND	Ground return	B12	GND	Ground return
A2	SSTxp1	Positive half of first SuperSpeed TX differential pair	B11	SSRXp1	Positive half of first SuperSpeed RX differential pair
A3	SSTxn1	Negative half of first SuperSpeed TX differential pair	B10	SSRXn1	Negative half of first SuperSpeed RX differential pair
A4	Vbus	Bus Power	B9	Vbus	Bus Power
A5	CC1	Configuration Channel	B8	SBU2	Sideband Use (SBU)
A6	Dp1	Positive half of the USB 2.0 differential pair-Position 1	B7	Dn2	Negative half of the USB 2.0 differential pair-Position 2
A7	Dn1	Negative half of the USB 2.0 differential pair-Position 1	B6	Dp2	Positive half of the USB 2.0 differential pair-Position 2
A8	SBU1	Sideband Use (SBU)	B5	CC2	Configuration Channel
A9	Vbus	Bus Power	B4	Vbus	Bus Power
A10	SSRXn2	Negative half of second SuperSpeed RX differential pair	B3	SSTXn2	Negative half of second SuperSpeed TX differential pair
A11	SSRXp2	Positive half of second SuperSpeed RX differential pair	B2	SSTXp2	Positive half of second SuperSpeed TX differential pair
A12	GND	Ground return	B1	GND	Ground return

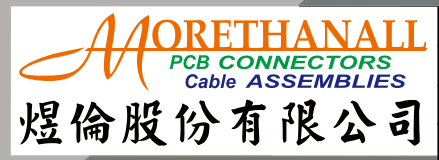
SCALE: 2:1

SPECIFICATION

- MATERIAL: See drawing
- STANDARD DATA
 - Rating current: 5.0A for VBUS (i.e., pins A4, A9, B4, B9); 1.25A for Vconn and GND (i.e., pins B5, A1, A12, B1, B12); 0.25A for all the other contacts.
- ELECTRICAL
 - Insulator resistance: 100M ohms Min.
 - Withstanding voltage: 100 VAC / minute
 - Contact resistance: initial 40mohms Max. after 50mohms Max.
- MECHANICAL
 - Mating force: 5~20N
 - Unmating force : Initial 8~20N After 10000cycles 6~20N
 - Durability: 10000 cycles Min.
- ENVIRONMENTAL
TEMPERATURE RANGE -40°C ~ +85°C

RoHS Compliant

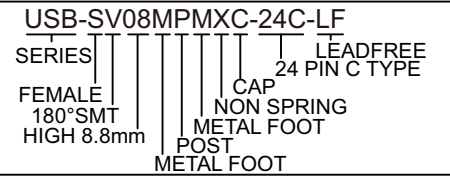
TOLERANCES ARE



DRAWING BY	CY	X. ± 0.50
CHECKED BY	GENIUS	.X ± 0.30
UNIT / mm	SCALE 1:1	.XXX ±
DATE		ANG ± 5°

照片框

ORDER INFORMATION



DESCRIPTION: USB C TYPE CONNECTOR

www.morethanall.com

SIZE A4 PROJECTION