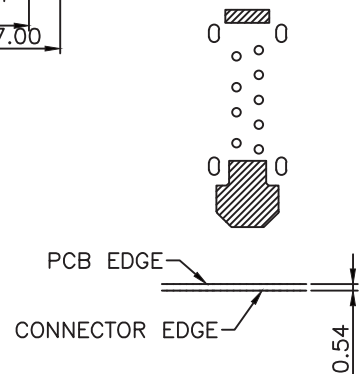
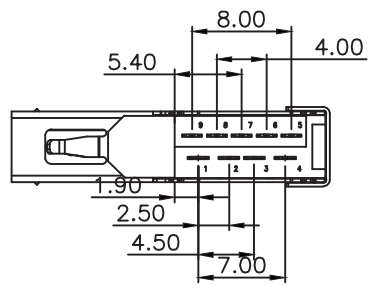
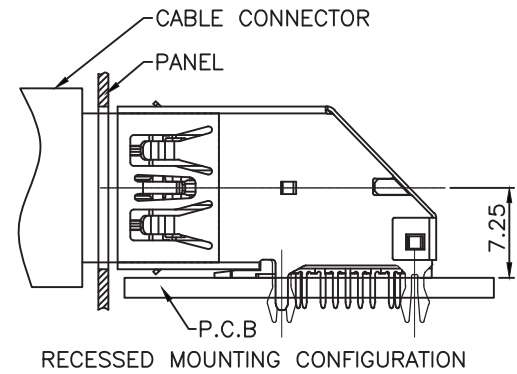


RECOMMENDED PCB LAYOUT
(COMPONENT SIDE)
THK=1.60 ALL TOL IS ±0.05



- NOTE:
- MATERIAL:
 - INSULATOR:LCP, UL 94 V-0;COLOR BLUE
 - 4PIN CONTACT:C5191(T=0.20mm)
 - 5PIN CONTACT:C2680(T=0.20mm)
 - SHELL:SUS201(T=0.30mm)
 - ELECTRICAL CHARACTERISTICS:
 - CURRENT RATING: 1.8A(PIN1, 4); OTHER CONTACTS 0.25A
 - VOLTAGE RATING: 30V DC/AC MAX.
 - CONTACT RESISTANCE: 30mΩ MAX. PIN1&PIN4 50mΩ MAX FOR OTHER CONTACTS.
 - DIELECTRIC WITHSTANDING VOLTAGE: 100V AC FOR 1 MINUTE.
 - INSULATION RESISTANCE: 100MΩ MIN.
 - MECHANICAL CHARACTERISTICS:
 - MATING FORCE: 35N(3.57 kgf) MAX.
 - MATING FORCE: 10N(1.02 kgf) MIN. (INITIAL); 8N (0.816 kgf) Min. (FINAL).
 - URABILITY: 5000 CYCLES.
 - PLATING SPECIFICATION:
 - CONTACTS: (SEE TABLE) GOLD PLATED ON CONTACT AREA, 100u" MIN. MATTE-TIN ON SOLDER TAIL, WITH ENTIRE ONTACT UNDERPLATED 50u" MIN. NICKEL.
 - SHELL: 50u" MIN. NICKEL PLATED.
 - Salt Spray 24H



Contact Number	Signal Name
PIN1	VBUS
PIN2	D-
PIN3	D+
PIN4	END
PIN5	SMA_SSP0+
PIN6	SMA_SSP0-
PIN7	END_DRAIN
PIN8	SMA_SSTX-
PIN9	SMA_SSTX+
Shell	Shield

RoHS Compliant

TOLERANCES ARE

MORETHANALL
PCB CONNECTORS
Cable ASSEMBLIES
煜倫股份有限公司

DRAWING BY CY
CHECKED BY GENIUS
UNIT / mm SCALE 1 : 1
DATE

X, ±
.X ± 0.35
.XX ± 0.25
.XXX ±
ANG ±

照片框

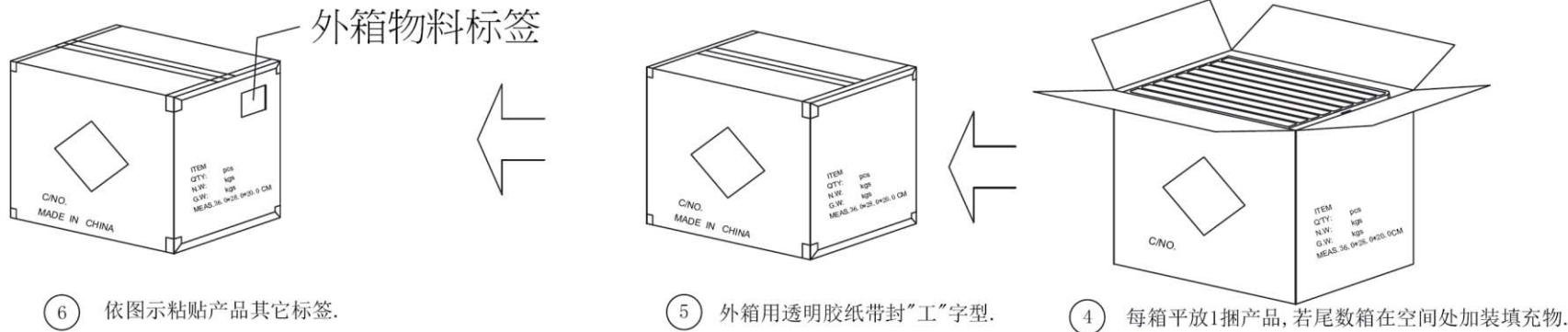
ORDER INFORMATION

USB-SUFXBL-9A-LF
SERIES | | | LEADFREE
| | | 9 PIN A TYPE
| | | BLUE
| | | NON FLANGE
| | | UPRIGHT
| | | FEMALE

www.morethanall.com

SIZE A4 PPROJECTION

DESCRIPTION: USB 3.0 TYPE A 9P H=13.85mm L=25.70mm REC,STD DIP TYPE 側插無捲邊流插腳 L3.61mm 無邊



备注:

1. PE真空盒1Set
2. 每盒装成品100Pcs,
3. 每箱装20盒,
4. 外箱尺寸与规格印刷: 详见包材图面;
5. 外箱用透明胶纸带封“工”字型;
6. 依外箱图示位置粘贴好产品或其它标签。
(若客户另有贴标签要求, 则按其定单注明之要求贴)

RoHS Compliant

TOLERANCES ARE

MORETHANALL
PCB CONNECTORS
Cable ASSEMBLIES

DRAWING BY CY

X, ±

CHECKED BY GENIUS

.X ± 0.35

UNIT / mm

SCALE 1:1

.XX ± 0.25

DATE

.XXX ±

ANG ±

SIZE A4

PPOJECTION

照片框

ORDER INFORMATION

USB-SUFXBL-9A-LF
SERIES | | | | LEADFREE
| | | | 9 PIN A TYPE
| | | | BLUE
| | | | NON FLANGE
| | | | UPRIGHT
| | | | FEMALE

煜倫股份有限公司

www.morethanall.com

DESCRIPTION: USB 3.0 TYPE A 9P H=13.85mm L=25.70mm REC.STD DIP TYPE 側插無搖邊漁插腳 L3.61mm 無邊