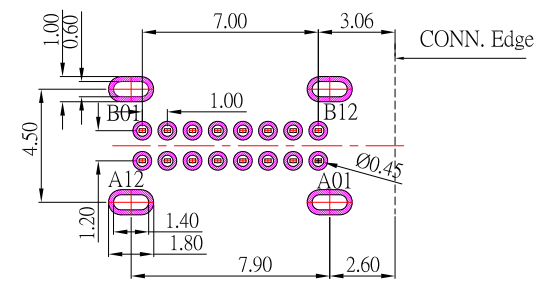
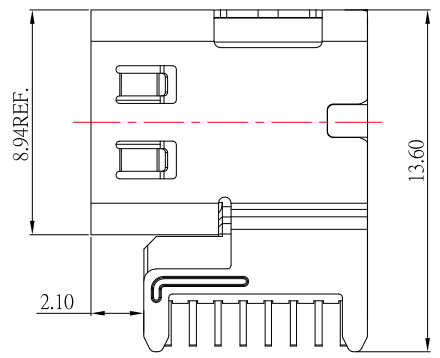


AFTER MATING



P.C.B. LAYOUT
TOP VIEW

A1	GND	B12	GND
A2		B11	
A3		B10	
A4	VBUS	B9	VBUS
A5	CC1	B8	SBU2
A6	D+	B7	D-
A7	D-	B6	D+
A8	SBU1	B5	CC2
A9	VBUS	B4	VBUS
A10		B3	
A11		B2	
A12	GND	B1	GND
PIN	SIGNAL NAME	PIN	SIGNAL NAME

SPECIFICATIONS

- Electrical:**
1. Rating: 5.0 A
 2. Dielectric Withstand Voltage: 100V AC
 3. Contact Resistance: 40 mΩ Max
 4. Insulation Resistance: 100 MΩ Min
- Mechanical:**
1. Connector Mate and Unmate Force
 - 1.1 Mate force: 5~20 N
 - 1.2 Unmate force: 8~20 N

- Material:**
1. Housing: LCP
 2. Contact: C18400
 3. Shell: SUS
- Finish:**
1. Contact: Plated Gold in Mating Area ;
Tin Plated on Solder Balls ;
Nickel under plated overall
 2. Shell: Nickel under Plated surface layer

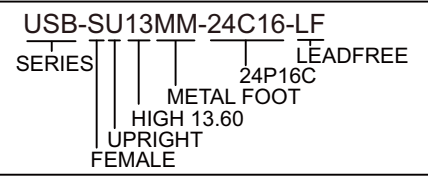
RoHS Compliant

TOLERANCES ARE

Up to 5	±0.2
Above 5 ~ 15	±0.3
Above 15 ~ 30	±0.4
Above 30 ~ 50	±0.5
Angle	±0.3°

照片框

ORDER INFORMATION



DESCRIPTION: USB 3.1 侧插母座 16 PIN CH7.3

MORETHANALL
PCB CONNECTORS
Cable ASSEMBLIES
煜倫股份有限公司
www.morethanall.com

DRAWING BY CY	
CHECKED BY GENIUS	
UNIT / mm	SCALE 1 : 1
DATE	
SIZE A4	P PROJECTION