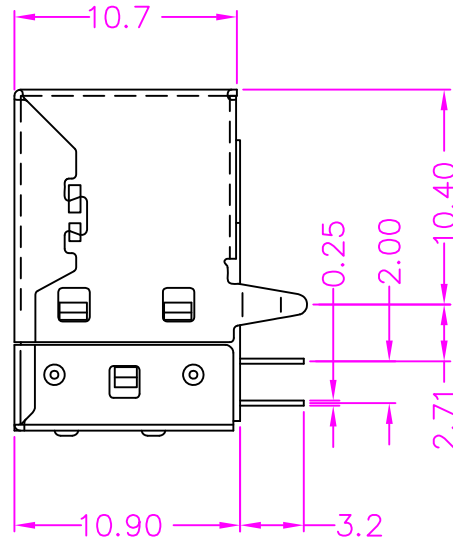
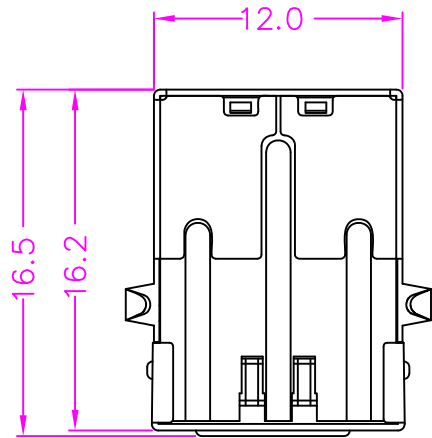


MATERIALS

HOUSING: THERMOPLASTIC (UL 94V-0)
 SHELL: COPPER ALLOY OR SPCC, NICKEL PLATING
 TERMINAL: COPPER ALLOY, GOLD PLATED ON CONTACT AREA
 TIN PLATING ON SOLDER TAIL

SPECIFICATION

CURRENT RATING: 1 AMP MAX
 DIELECTRIC WITHSTANDING: 500V AC FOR ONE MINUTE
 CONTACT RESISTANCE: 30m OHMS MAX
 INSULATION RESISTANCE: 1000M OHMS MIN AT DC 500V
 OPERATION TEMPERATURE: -40°C~+85°C



MORETHANALL
 PCB CONNECTORS
 Cable ASSEMBLIES

煜倫股份有限公司

www.morethanall.com

RoHS Compliant

DRAWING BY CY

CHECKED BY GENIUS

UNIT / mm SCALE 1 : 1

DATE

SIZE A4

TOLERANCES ARE

X. ± 0.40

.X ± 0.30

.XX ± 0.20

.XXX ± 0.10

ANG ±

PJECTION

照片框

ORDER INFORMATION

USB-SRxxS30-4B-LF
 SERIES | | | | LEADFREE
 | | | | 4 PIN B TYPE
 | | | | SEMI GOLD 30u"
 | | | | BK:BLACK
 | | | | WH:WHITE
 FEMALE | | | | DIP 90°

DESCRIPTION: USB B TYPE, PCB MOUNT, R/A, METAL SHIELD, FEMALE