

Note:

1.Material:

1.1 Insulator: P.B.T UL 94-V0 rated.

1.2 Contact: Brass,t=0.25mm.

1.3 Shell: Brass或 K7, t=0.30mm.

2.Specification:

2.1 Rated voltage and current:1.5A at 250V AC minimum.

2.2 Dielectric withstanding voltage: 500V AC/1 minute without breakdown.

2.3 Contact resistance:Before life test 30m ohm max, After life tset 50m ohm max.

2.4 Insulation resistance:1000M ohm min.

2.5 Insertion force:35 Newtons maximum.

2.6 Extraction force:10 Newtons minimum.

2.7 Solderability:Terminal shall be immersed in flux before text,Then dip in molten solder for 5±0.5 sec. At 245±5°C.

3.Finishes:

3.1 Contacts:半金錫,鍍底50-80u", 錫100-120u"
金1u".3u".5u".10u".15u".30u".40u";

3.2 Shell: 銅底50u",鍍鍍80-100u".

USB-SRxxR-4A-LF
LEADFREE
BK:BLACK
WH:WHITE
RoHS Compliant

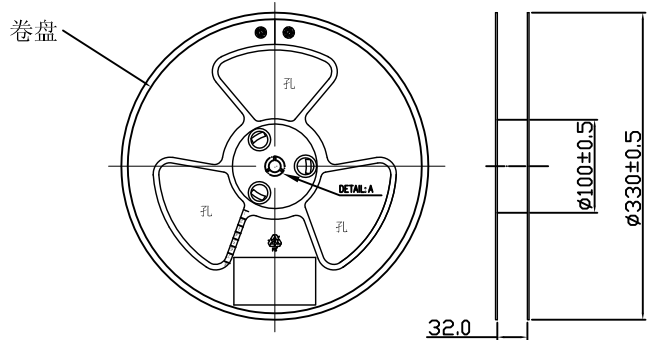
3	SHELL	1	K7\ BRASS	T=0.30±0.02mm	Nickel Plated	D2950XX-C
2	CONTACT	4	BRASS	T=0.25±0.02mm	Gold Flashed	A4120XX
1	HOUSING	1	P.B.T		Black\ White	JCH0046
No.	Part Name	Q'ty	Material	Thickness	Finish	Notes

MORETHANALL
CONNECTORS
ASSEMBLIES

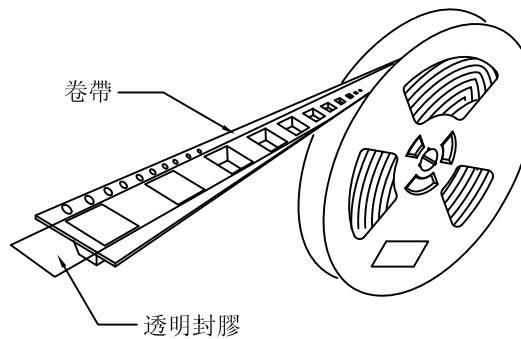
煜倫股份有限公司

PART NO. USB-SRxxR-4A		CHECKED BY CY	TOLERANCES ARE .X ± 0.2 .XX ± .XXX ± AWG
DWG NO. USB-SRxxR-4A			
FILE NO.		DRAWING BY	PROJECTION
UNIT / mm	SCALE 1:1		

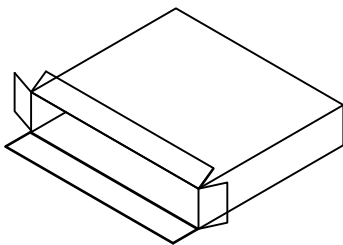
DESCRIP TION:	USB A FEMALE RIGHT ANGLE(正向90°)			
AREA	REVISIONS	HK	DATE	



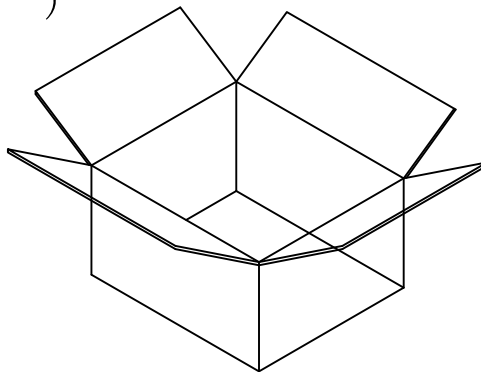
卷帶盤 (圖一)



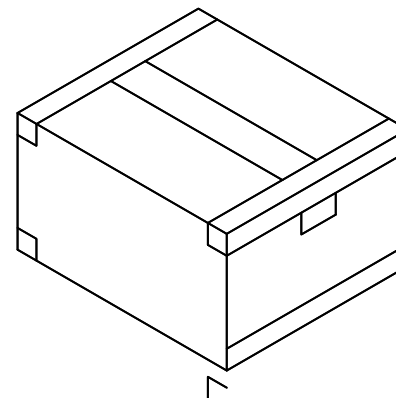
卷裝圖示 (圖二)



未封好
內紙箱
包裝說明: (圖三)



未封好
外紙箱 (圖四)



封好外
紙箱 (圖五)

1. 每卷帶盤裝200PCS,不可少數,成品在盤內SMT\ DIP 腳向下,裝好後使用自動卷裝機粘合上透明封膠. 如圖(一,二)所示
2. 將裝好的卷帶盤放入內紙箱內,每個內紙箱放2盤,用透明膠密封,再將封裝好的內紙箱放入外紙箱中,每個外紙箱放6個內紙箱,共有產品2.4K,最後用透明膠密封外紙箱. 如圖(三,四,五)所示.
3. 紙箱外貼上環保标签,合格标签,產品規格說明,並且貼在外箱側面的箱面規格說明的右上方(僅貼一側)
4. 包裝材料:(JPL011,RR006,ZX021,ZX004,XZD004).

MORETHANALL
CONNECTORS
ASSEMBLIES

煜倫股份有限公司

PART NO. USB-SRxxR-4A		CHECKED BY CY	TOLERANCES ARE .X ± 0.2 .XX ± .XXX ± AWG	DESCRIP TION: USB A母 SMT\ DIP 成品类卷帶包裝规范		
DWG NO. USB-SRxxR-4A						
FILE NO.		DRAWING BY	AREA	REVISIONS	HK	DATE
UNIT / mm	SCALE 1:1	PROJECTION				