

**NOTES:**

**1. MATERIAL SPECIFICATION:**

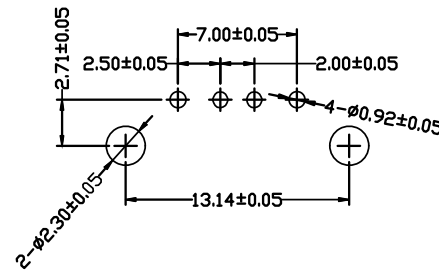
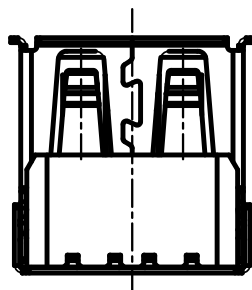
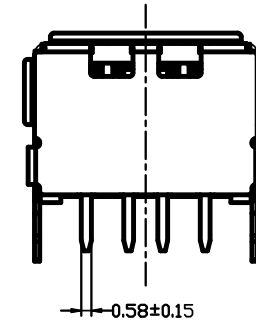
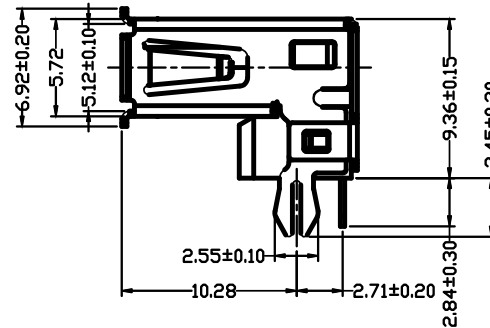
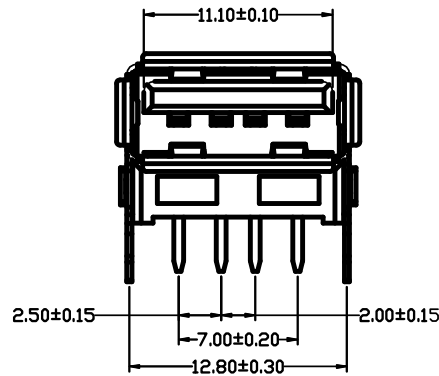
- 1) INSULATION MATERIAL: THERMOPLASTIC (UL94V-0)
- 2) SHELL: COPPER ALLOY  
PLATING: NICKEL
- 3) TERMINAL: COPPER ALLOY  
PLATING: GOLD/TIN PLATED;

**2. ELECTRICAL CHARACTERISTIC:**

- 1) VOLTAGE CURRENT RATING: 1AMP, 30V DC;
- 2) INSULATION RESISTANCE: 1000Ω MIN;
- 3) CONTACT RESISTANCE: 30Ω MAX;
- 4) WITHSTANDING VOLTAGE: 500V AC;

**3. Mechanical:**

- 1) Mating Force: 2.5 HG MAX
- 2) Housing Force: 0.7 HG MIN.



**RECOMMENDED PCB LAYOUT  
COMPONENT SIDE**

**RoHS Compliant**

TOLERANCES ARE

**MORETHANALL**  
PCB CONNECTORS  
Cable ASSEMBLIES

DRAWING BY CY

CHECKED BY GENIUS

UNIT / mm

SCALE 1 : 1

DATE

SIZE A4

X, ±  
.X ± 0.38  
.XX ± 0.25  
.XXX ± 0.10  
ANG ± 3°

P PROJECTION

照片框

**ORDER INFORMATION**

USB-SRZ1H93xx-4A-LF  
SERIES | LEADFREE  
4 PIN A TYPE  
BK:BLACK  
WH:WHITE  
FEMALE | HIGH 9.36mm  
DIP 90° | CLIP

煜倫股份有限公司

www.morethanall.com

DESCRIPTION: USB A/F 單層正向加高DIP 90°