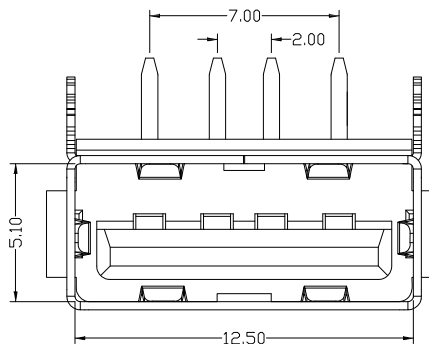


P.C.B LAYOUT MOUNTING PATTERN



SPECIFICATIONS

Electrical:

- 1. Rating: 30V DC , 2.0A
- 2. Contact Resistance: 30 mΩ Max
- 3. Dielectric Withstanding Voltage: 500 V AC / 1 minute
- 4. Insulation Resistance: 1,000 MΩ Min

Mechanical:

- 1. Connector Mate and Unmate Force
 - 1.1 Mate force: 30 N (Max)
 - 1.2 Unmate force: 10N (Min)

Material:

- 1. Housing: LCP, UL 94V-0
- 2. Contact: Phosphor Bronze
- 3. Shell: Brass

Finish:

- 1. Contact: Plated Gold in Mating Area ;
Tin Plated on Solder Balls ;
Nickel under plated overall
- 2. Shell: Nickel under Plated surface layer

RoHS Compliant

TOLERANCES ARE



煜倫股份有限公司

www.morethanall.com

DRAWING BY CY

CHECKED BY GENIUS

UNIT / mm

SCALE 1 : 1

DATE

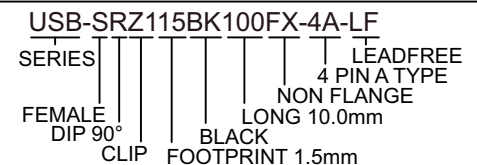
SIZE A4

Up to 5 ±0.2
Above 5 ~ 15 ±0.3
Above 15 ~ 30 ±0.4
Above 30 ~ 50 ±0.5
Angle ±0.3°

PJECTION

照片框

ORDER INFORMATION



DESCRIPTION: USB AF 短體10.0 無捲邊 後插 H:6.3mm