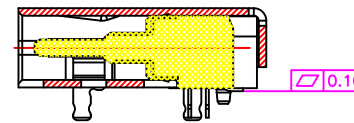
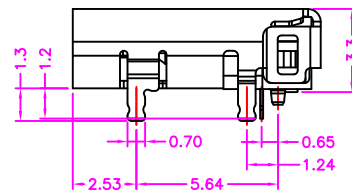
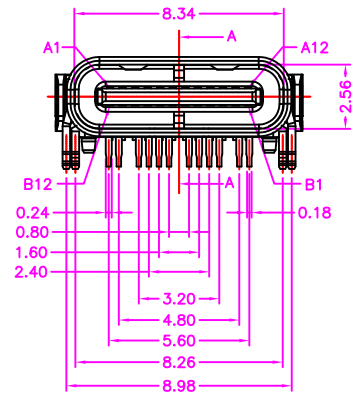


MATERIALS

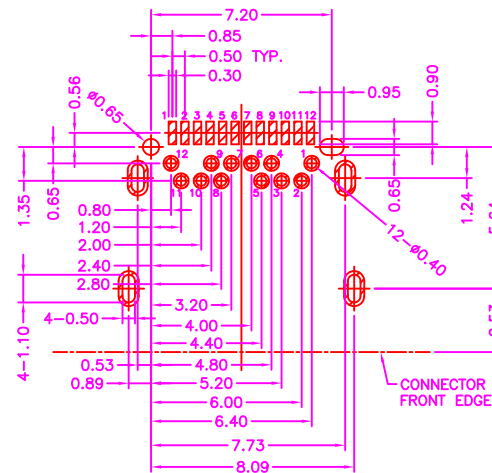
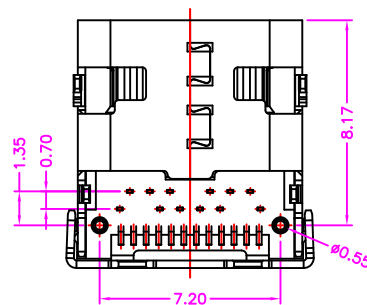
HOUSING: HI-TEMP. PLASTIC (UL 94V-0), BLACK
 SHELL: STAINLESS STEEL, NICKEL PLATING
 TERMINAL: COPPER ALLOY, GOLD PLATED ON CONTACT AREA
 TIN PLATING ON SOLDER TAIL

SPECIFICATION

CURRENT RATING:
 1.5A/PIN MAX (A4,A9,B4,B9)
 1.25A/PIN MAX (A1,A12,B1,B12)
 0.25A FOR ALL THE OTHERS CONTACTS
 DIELECTRIC WITHSTANDING: 300V AC FOR ONE MINUTE
 CONTACT RESISTANCE: 40m OHMS MAX
 INSULATION RESISTANCE: 100M OHMS MIN AT DC 300V
 OPERATION TEMPERATURE: -40°C~+85°C



SECTION A-A



P.C.B. LAYOUT
 TOP VIEW±0.05

USB TYPE C PIN ASSIGNMENTS

PIN NUMBER	SIGNAL NAME	PIN NUMBER	SIGNAL NAME
A1	GND	B12	GND
A2	TX1+	B11	TX1+
A3	TX1-	B10	TX1-
A4	VBUS	B9	VBUS
A5	CC1	B8	SBU2
A6	DP1	B7	DN2
A7	DN1	B6	DP2
A8	SBU1	B5	CC2
A9	VBUS	B4	VBUS
A10	RX2-	B3	TX2-
A11	RX2+	B2	TX2+
A12	GND	B1	GND

RoHS Compliant

TOLERANCES ARE

MORETHANALL
 PCB CONNECTORS
 Cable ASSEMBLIES

DRAWING BY CY

X. ± 0.40

CHECKED BY GENIUS

.X ± 0.30

UNIT / mm

SCALE 1 : 1

.XX ± 0.20

DATE

.XXX ± 0.10

ANG ±

照片框

煜倫股份有限公司

www.morethanall.com

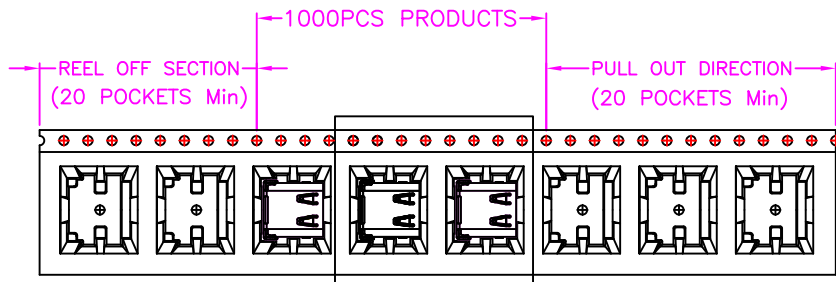
SIZE A4

P PROJECTION

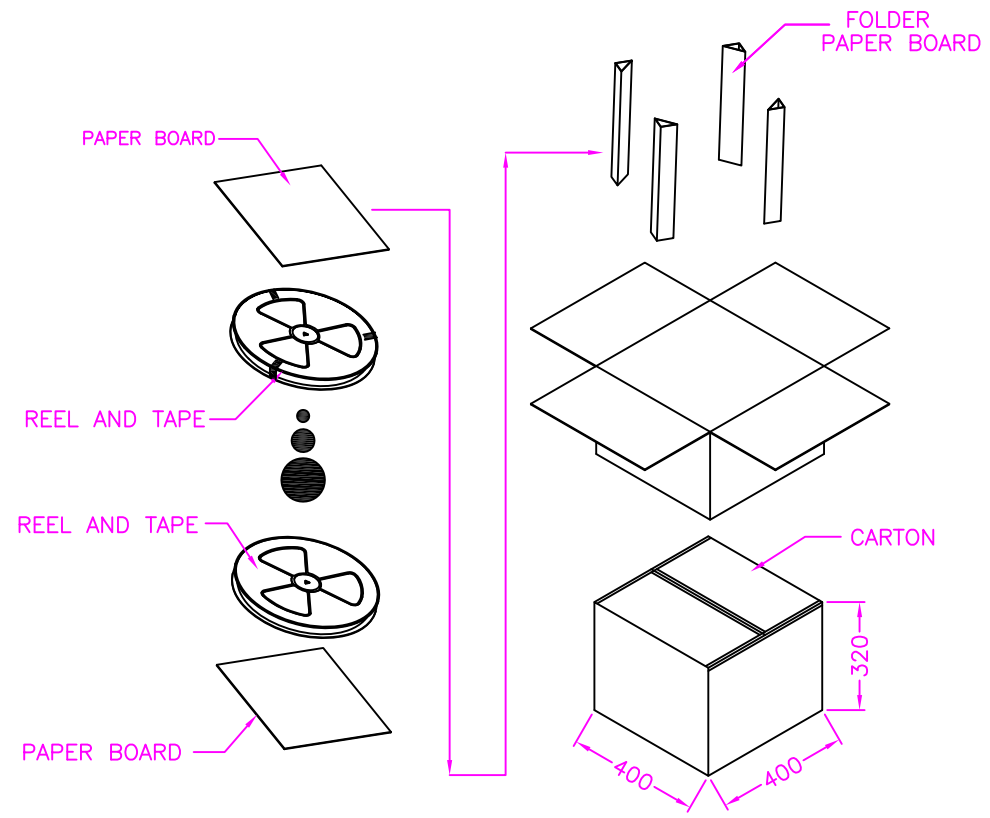
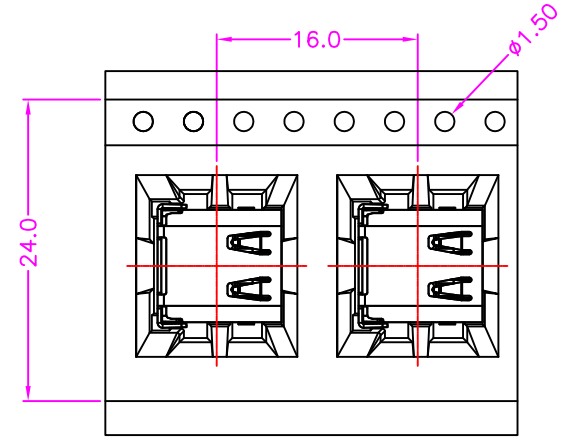
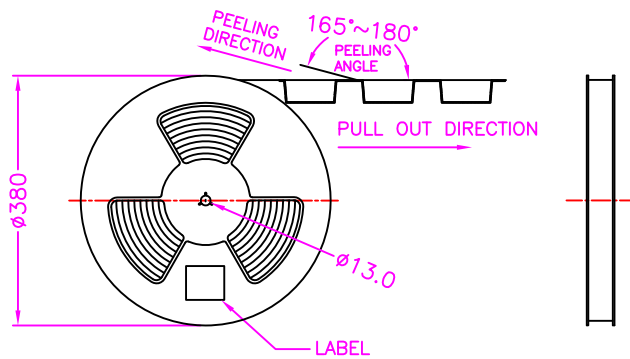
ORDER INFORMATION

USB-SRWMM8982PSR-24C-LF
 SERIES | | | | | LEADFREE
 FEMALE | | | | | 24 PIN C TYPE
 DIP 90° | | | | | REEL
 90°SMT | | | | | W/SPRING
 METAL FOOT 8.98mm+8.26mm

DESCRIPTION: USB C TYPE, PCB MOUNT, SMT, METAL SHIELD, WITH POST, 24PIN, FEMALE



DETAIL A



NOTE: 1000PCS/ REEL, 10000PCS/ 10 REEL/ CARTON

RoHS Compliant

TOLERANCES ARE

MORETHANALL
PCB CONNECTORS
Cable ASSEMBLIES
煜倫股份有限公司
www.morethanall.com

DRAWING BY CY		X. ± 0.40
CHECKED BY GENIUS		.X ± 0.30
UNIT / mm	SCALE 1 : 1	.XX ± 0.20
DATE		.XXX ± 0.10
SIZE A4	P PROJECTION	ANG ±



ORDER INFORMATION

USB-SRWMM8982PSR-24C-LF
SERIES | LEADFREE
FEMALE | 24 PIN C TYPE
DIP 90° | REEL
90°SMT | W/SPRING
METAL FOOT 8.98mm+8.26mm

DESCRIPTION: USB C TYPE, PCB MOUNT, SMT, METAL SHIELD, WITH POST, 24PIN, FEMALE